

**STAINLESS STEEL VERTICAL FORM, FILL & SEAL
MODEL# VFFX-539-SS**

Stainless Steel Vertical Form, Fill & Seal VFFX-539-SS

- Laminated Bag Capabilities:
 - Width = 3" – 9"
 - Length = 2" – 11" (*Longer Bags with Multiple Pull*)
- Maximum Roll Size = 15" Diameter x 19.5" Width
- Horizontal Seal Actuator Including High Speed Dual Servo Motor Drive
- Vertical Seal Actuator With Quick Release Swing Arm
- Stainless Steel Construction With Welded Frame Including Leveling Feet & Casters
- Stainless Steel Electrical Cabinet
- Auto Positioning Belts
- Automatic Film Detection & Tracking
- Servo-Driven Film Advance Feed Pull System With Motorized Assist And Automatic Centering Film Spindle
- Film Unwind Carriage Including Quick Thread Dancer
- Film Mark & Registration Detection System
- Out Of Film Detection
- Film Registration Roller For Optional Printer
- One Roll Unwind Spindle With 3-Inch Manual Core Chucks
- Splice Plate
- Jaw Jam & Knife Inhibit Safety Feature
- Resistance Sealing System Includes: Knife Cutoff, 0.5" Wide Seal Jaw Faces (Horizontal Serrations Provide Tear Notches To Assist Opening), Adjustable Jaw Open Position
- Electrical & Pneumatic Safety Interlocks
- Polycarbonate Front And Side Doors Electrically Interlocked
- Mitsubishi PLC Controls
- 7-Inch Color Touch Screen Display
- Optional Multi-Language Display Screens
- Three (3) Temperature Control Zones
- 100 Recipe Storage Buffer
- User-Entered Password
- 44 Programmable Inputs, 28 Programmable Outputs
- Electronic Instruction & Maintenance Manuals
- Electrical Requirements: 208 - 240 VAC Single Phase 12A
- Air Requirements: 3 - 10 CFM @ 80 PSIG
- Palletizing & Crating Prior To Shipment



Optional Equipment

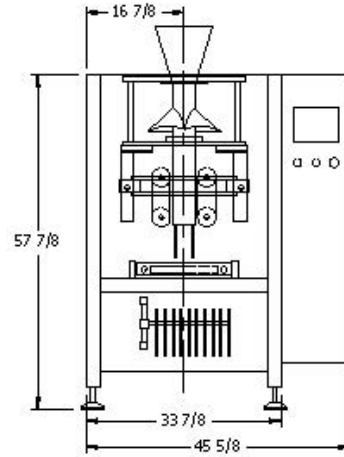
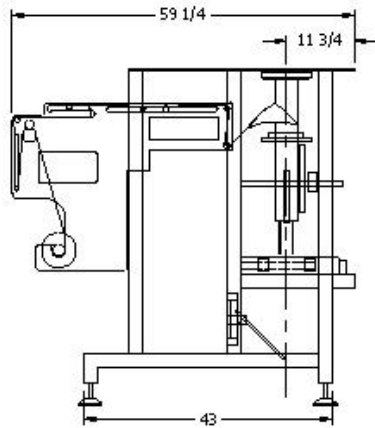
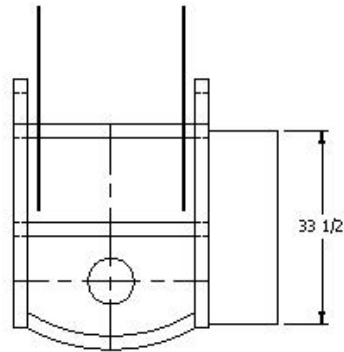
Printer, Gas Flushing, Air Expeller, Hole Punch, Gusset, Product Settler

Electrical Requirements:

A. (1) 12A 220VAC Single Phase @ 60Hz

Air Requirements:

B. (1) 7CFM @ 90PSI



DATE	1/22/14	Machine Packaging	
DESIGN		Vertical Form, Fill & Seal Bagger	
QA			
FIG			
APPROVED			
		REV	
		A	VFFX-539
		REV	A
		Sheet 1 of 2	