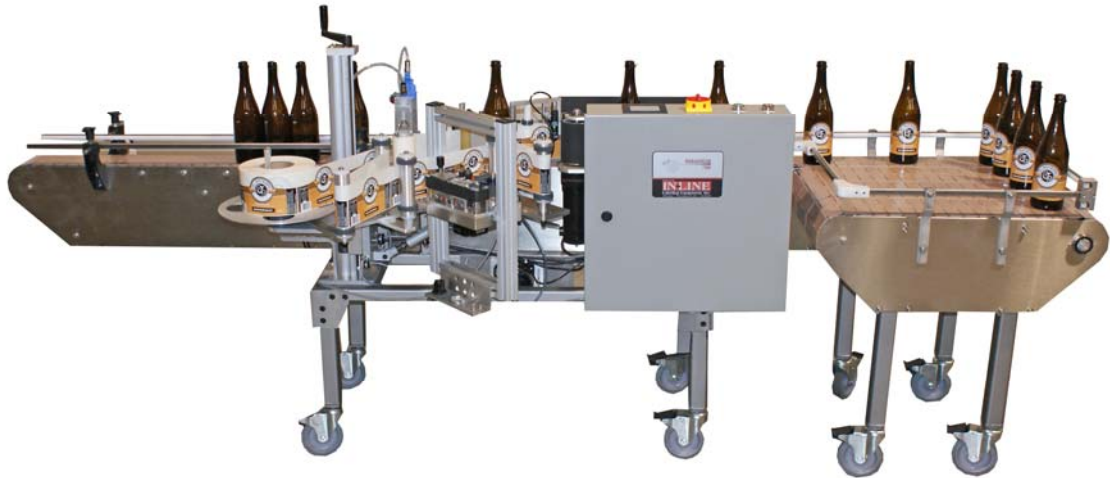


IN-LINE

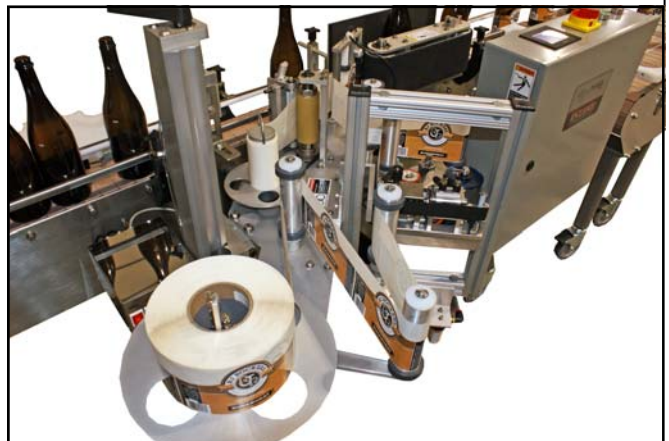
Packaging Equipment, Inc.

7282 Spa Road North Charleston, SC 29418
Phone: (843)569-2530 Toll Free: (800)465-4630 Fax: (843)569-2531



Paradigm 700MB Pressure Sensitive Labeler

The Paradigm 700 is a completely new shift from current designs – the first Labeler designed for both the present and the future. The Paradigm can be ordered as one configuration now and easily changed in the future by replacing or adding bolt-on parts. The conveyor height, width and length can be reconfigured, along with the direction of the machine (left-hand vs. right-hand) and one of three labeling styles – wrap, spin-in-place, or trunnion style. So changing your line layout or the packages you run does not make the labeler you already purchased obsolete. Besides the ability to reconfigure, the machine is loaded with nice features; all stainless and aluminum construction, off-the-shelf components rather than proprietary boards and motors, a stepper-driven applicator and a standard Touchscreen interface on all models. All speeds on every 700 are synchronized together to avoid common labeling errors, and our recipe system ensures easy setups and changeovers with the ability to store up to 99 packages. Best of all, it is built entirely in the U.S.A. and completely supported from our factory in South Carolina. Offering excellent label and control, the Paradigm 700 Labeler is a great choice for today and the future!

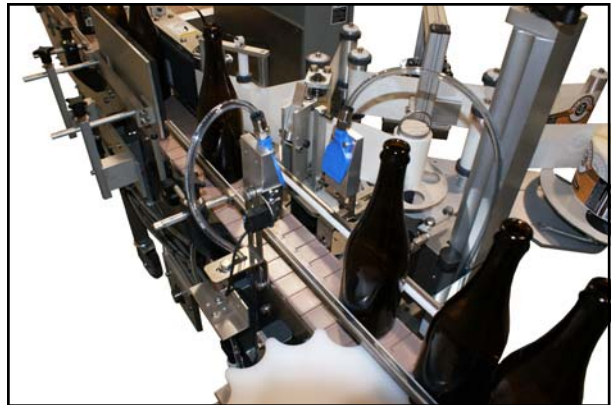


IN-LINE

Packaging Equipment, Inc.

Features

- Labels 1" to 5" diameter containers.
- Apply labels from 1" to 4 1/2" tall and up to 14" long.
- "Super Clean" conveyor ends for easy transitions with other machines.
- Changeovers take less than 10 minutes.
- Speeds to 100 containers per minute.
- Accepts 1/8" standard label gap, 3" diameter core, max roll size of 12".
- Photoeye product detection and photoeye gap detection.
- PLC-controlled, touchscreen HMI.
- Wrap-style labeling for positive control.
- Built-in accumulation table for pack-off on discharge end.
- Configured for body label only.
- Starwheel infeed for metering containers accepts both 12 and 22 oz bottles.

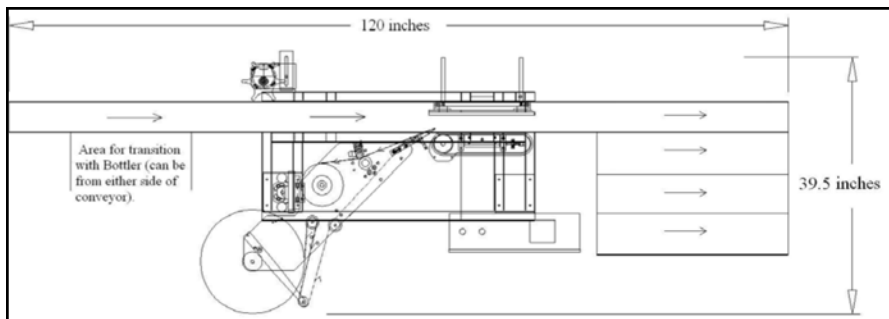


Options

- Hot Stamp Coder for lot/date info.
- Ink Jet Coder for lot/date info.
- Tall Label Kit for labels up to 7 1/2" tall.
- Built-in Air blow-off for condensate.
- Clear Label Sensor.

Specifications

Conveyor width:	4 1/2" standard, 6" and 7 1/2" optional
Conveyor height:	32" standard, any height optional
Conveyor length:	72" standard, any length in 6" steps optional
Conveyor motor:	1/8 hp DC gear head
Wrap motor:	1/12 hp DC gearhead
Overall machine weight:	400 pounds
Power requirements:	120 volt AC, 60 cycle, 6 amp power
Compressed air:	3-4 cfm @ 65 psi, if required



7282 Spa Road
North Charleston, SC 29418
Phone: (843)569-2530
Toll Free: (800)465-4630
Fax: (843)569-2531