

# Vibro Multi-Deck Sifters

## VS Series



## Vibro Multi-Deck Sifters

Our standard units, single & multi-deck have all stainless frames and covers. The base and motor table are carbon steel which has been cad plated prior to painting.

All portions of the unit which contact product are stainless steel. Specialty stainless is available, such as 316L, but our standard is 304 for all units.



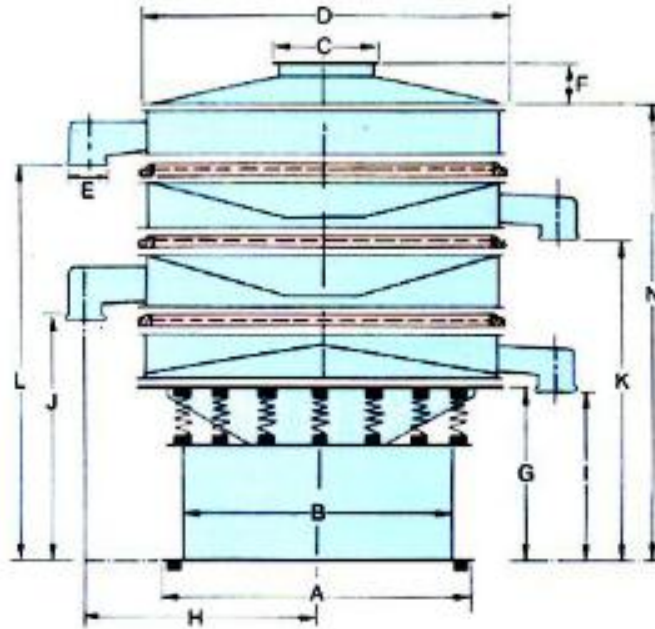
**Features:**

Vibro Sifters have a unique-screening structure and are designed to avoid all of the other brands screen deficiencies. The main characteristics are as follows:

- Unique L - shaped sieve frame design for convenience and quick change of sieve (only 5 to 10 minutes required) ; this design furthermore allow single-layer sieves, double-layer sieves or triple-layer sieves to be mounted as required.
- Completely separate unit design; the resulting simple and easy assembly and dismantling can be carried out by a single person which means an even smoother production process.
- Larger sieving area and higher performance form a machine of the same dimensions.
- The design of primary and secondary sieves ensures that fine sieves are fully supported by primary sieves; as a result, fine sieves have an exceptionally long service life which, apart from keeping down costs, means a reduction in the number and length of stoppages to the production process.



**Dimensions:**



Specifications					
Model	Power(HP)	Diameter of Screen Surface	Packing Dimension(L x w x h)		No. of Deck
			M/M	Inches	
VS-500-1S	3/4	(500m/m) 19"	770 x 770 x 830	30 5/16" x30 5/16" x31 1/2"	1
VS-500-2S			770 x 770 x 940	30 5/16" x30 5/16" x37 "	2
VS-500-3S			770 x 770 x 1130	30 5/16" x30 5/16" x44 1/2"	3
VS-800-1S	1	(740m/m) 30"	930 x 1000 x 950	36 5/8" x39 3/8" x37 3/8"	1
VS-800-2S			930 x 1000 x 1090	36 5/8" x39 3/8" x42 15/16"	2
VS-800-3S			1040 x 1040 x 1250	40 7/8" x40 7/8" x49 3/16"	3
VS-1000-1S	2	(910m/m) 35 13/16"	1150 x 1150 x 1020	45 1/4" x45 1/4" x40 1/8"	1
VS-1000-2S			1170 x 1170 x 1200	46 1/16" x46 1/16" x47 1/4"	2
VS-1000-3S			1190 x 1190 x 1330	46 7/8" x46 7/8" x44 1/2"	3
VS-1200-1S	2	(1110m/m) 43 11/16"	1310 x 1410 x 1190	51 9/16" x55 1/2" x46 7/8"	1
VS-1200-2S			1310 x 1410 x 1350	51 9/16" x55 1/2" x53 1/8"	2
VS-1200-3S			1350 x 1350 x 1510	46 7/8" x46 7/8" x44 1/2"	3
VS-1500-1S	3	(1410m/m) 55 1/2"	1610 x 1670 x 1270	63 3/8" x65 3/4" x50 "	1
VS-1500-2S			1650 x 1650 x 1470	67 7/8" x67 7/8" x57 7/8"	2
VS-1500-3S			1650 x 1650 x 1700	64 7/8" x64 7/8" x66 7/8"	3

SaintyCo also offer:

Encapsulation Solutions

Tablet Compression Solutions

Coating Systems

Cartoning Systems

Blister Packing Solutions

