

# IN-LINE

Labeling Equipment, Inc.

7282 Spa Road North Charleston, SC 29418  
Phone: (843)569-2530 Toll Free: (800)465-4630 Fax: (843)569-2531



## 1000SS Redundant-Head Pressure Sensitive Labeler

The model 1000SS Redundant-head Labeler is a fully automatic labeler designed for high speed labeling on round bottles without losing downtime for label roll changeovers. The machine detects when the end of roll is reached and automatically changes over to the other applicator without missing any containers within the machine. When the first roll is replaced, the machine will then change back to it as the other roll ends. In this way there is no downtime for label roll changeovers! The standard machine is rated to 150 bpm for an 8" long label, and with the servo option up to 250 bpm. Other options include hot-stamp coding, top belt for bottle stability, tall or extra tall labels, and custom spacing belt to replace the feedscrew infeed for universal bottle spacing.

Versatile, easy to operate, and economical, the model 1000SS provides an excellent option for line situations where downtime from label changeover needs to be reduced and/or eliminated.

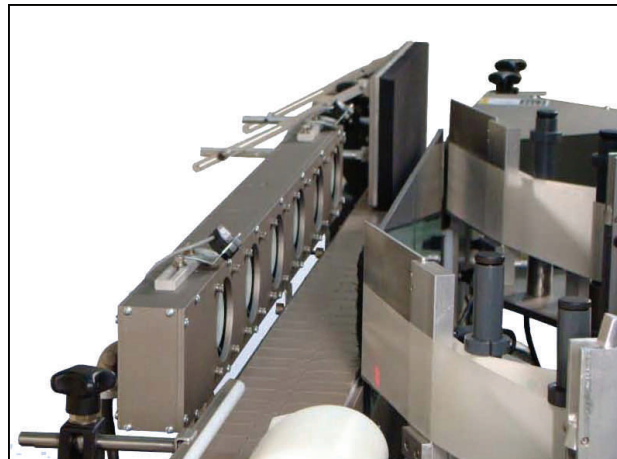


# IN-LINE

Labeling Equipment, Inc.

## Features

- Label 1" to 6" diameter containers.
- Apply labels from 1" to 4 ½" tall and 14" long.
- Label can be moved up to 5" from base of container.
- Accepts random or continuous bottle feed.
- Changeovers require no tools and take less than 10 minutes.
- Single feedscrew is standard with machine.
- Labeling speeds to 150 containers per minute.
- ⅛" standard label gap.
- Accepts industry standard 3" diameter core.
- Maximum label roll size of 16".
- Photoeye product detection and photoeye gap detection.
- Stepper-driven label applicator with speeds to 1500 ipm.

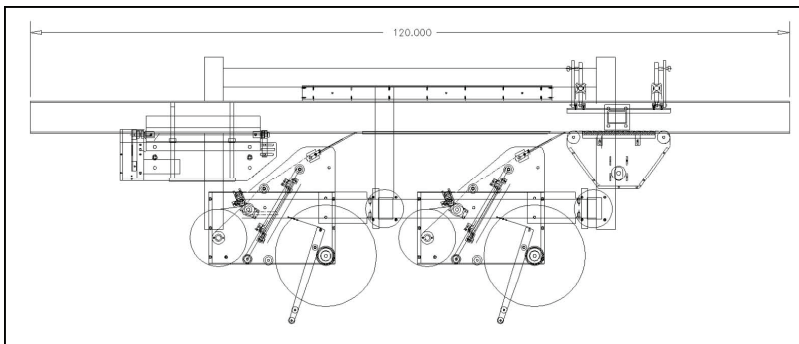


## Options

- Hot Stamp coding for lot/date information.
- Extra Tall Label Kit for labels up to 7 ½" tall.
- Servo-driven labeling applicators for higher speeds.
- Top belt for bottle stability.

## Specifications

Conveyor width:	4 ½"
Conveyor height:	32" Standard (+2" up)
Conveyor length:	120"
Conveyor motor:	¼ hp variable speed DC drive
Overall machine width:	42"
Overall machine height:	42"
Overall machine weight:	750 pounds
Power requirements:	120 volt AC, 60 cycle, 15 amp power
Compressed air:	3-4 cfm @ 65 psi if required



7282 Spa Road  
North Charleston, SC 29418  
Phone: (843)569-2530  
Toll Free: (800)465-4630  
Fax: (843)569-2531