

Tube Capping +
Labeling Machine
CLM-60



Tube Capping + Labeling Machine

CLM-60

Fully Automatic Tube Labeling and Capping Machine for applying wrap around or oriented half labels and screw-on or snap-on caps on to round seamless tubes.

Features

- Designed for labeling 365° full wrap around labels or oriented half labels on round tubes.
- Highly accurate capping of tubes with screw-on or oriented snap-on caps.
- 12 mandrel turret with mechanical indexer.
- Rigid frame construction with all components being either powder coated or electroless plated.
- Compact Footprint - Takes half the floorspace compared to a labeling and a capping machine.
- 'Tube Test mode' to make the machine settings with minimum wastage.
- Intuitive and easy to use large vertical touch screen HMI.
- Can store up to 500 recipes of tube + cap types for quicker recall of settings during changeover.
- 'Bad' tube rejection.
- Exhaustive diagnosis features and alarm system.

Options

- Tube surface treatment unit
- Pre-orientation drive for flip-top caps
- Cap Elevator to automate cap feeding
- Outfeed flat belt conveyor
- Inspection station
- Remote Diagnostics with modem
- Language Options



LABELING



Half labeling with Respect to eye mark

Full wrap around Labeling

CAPPING



Screw-on Capping with control Torque Tightening

Snap-on Capping with High Accuracy

■ Technical Specifications

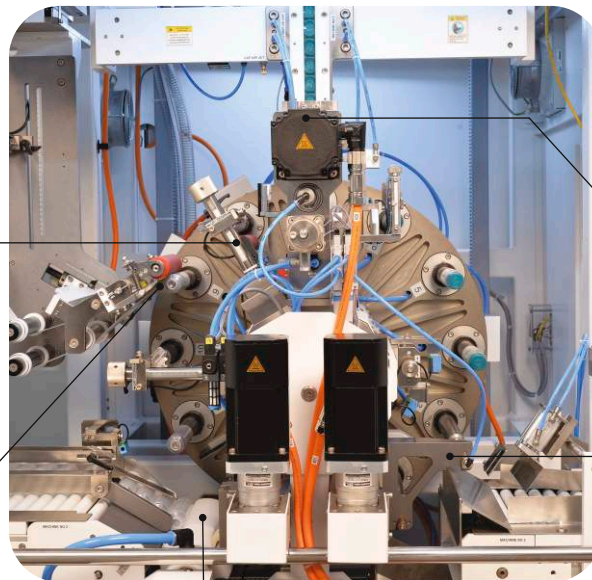
Machine Speed	: up to 60 Tubes / minute
Tube Diameter	: min. Ø 19.0 mm - max. Ø 60.0 mm
Tube Length without Cap	: min. 75 mm to max. 220 mm
Cap diameter	: Min. Ø 19mm and Max. Ø 60 mm
Cap Height	: Min. 12 mm and Max. 30 mm
Label Positional Accuracy	: ± 2mm
Capping accuracy	: Cap position (snap-on flip top cap) : with respect to eye mark/black mark on tube : ± 2mm
Torque tightening accuracy in case of screw-on caps	: ± 2 kg.cm
Air Supply	: 7-10 Bar
Electrical Supply	: L1, L2, L3, N, PE
Supply Voltage	: 415 VAC, 50/60 Hz
Supply Current	: 6 Amps
Load	: 20kW
Layout	: Tube flow from left to right
Machine Weight	: approx. 3000kg



■ Operations



LABEL MASSAGE STATION



TUBE CAPPING STATION



LABELLING STATION

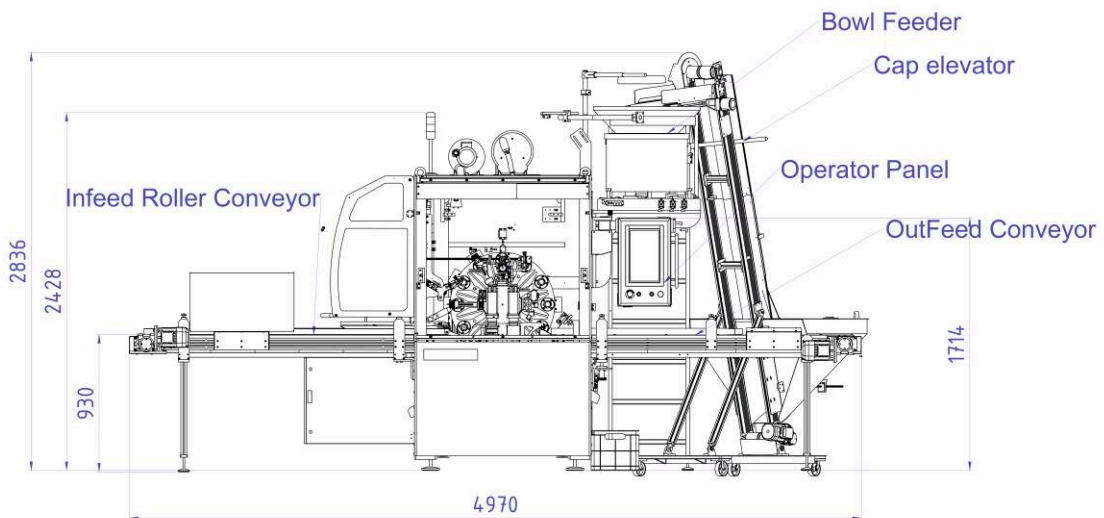
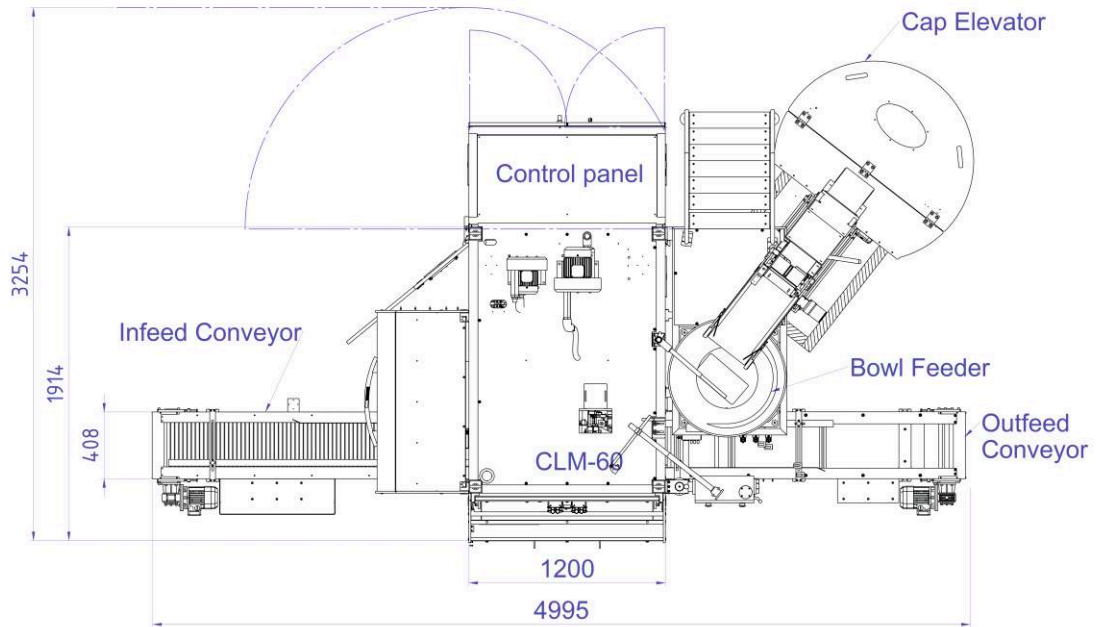


TUBE LOADING STATION



TUBE UNLOADING STATION

Layout



Scan To Play Video



• All dimensions are in mm

 **Technoshell**
Automations Pvt. Ltd.

G - 49, M.I.D.C., Ambad, Nashik - 422010. INDIA

Ph.: +91 253 6647 300.

Email: info@technoshell.com | URL: www.technoshell.com