



V-efficient mixer

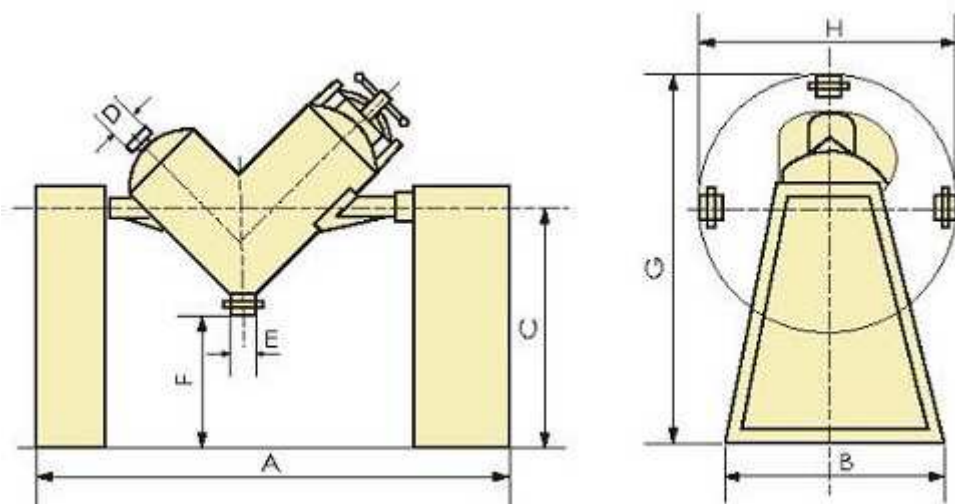


The main purpose:

This machine is for dry powder materials in pharmaceutical, food, chemical and other industrial mixing purposes.

Working principle:

The unique structure of the mixing drum, mixing high efficiency, no dead ends, with a stainless steel cylinder, inner and outer walls polished, beautiful appearance mixed, highly versatile.



Technical Parameters:

Model	Mixing barrel volume (L)	Rotor speed	Power	Pack material coefficient	Overall dimesions	Net weight
		(r.p.m)	(kw)		(mm)	(Kg)
V-2	2	15	0.37	40%~60%	300x400x500	50
V-5	5	15	0.37	40%~60%	700x400x800	60
V-20	20	15	0.55	40%~60%	1020x500x1100	75
V-60	60	15	0.75	40%~60%	1620x650x1700	150
V-120	120	15	1.5	40%~60%	2270x750x1950	350
V-150	150	15	1.5	40%~60%	2200x1300x2200	400
V-180	180	15	1.5	40%~60%	2200x1600x2500	450
V-500	500	15	1.5	40%~60%	2200x2000x2800	500
V-1000	1000	12	4	40%~60%	3100x2200x2700	820
V-1500	1500	10	4	40%~60%	3420x2600x3500	900
V-2000	2000	10	4	40%~60%	3700x2800x3550	1000
V-2500	2500	9	4	40%~60%	4200x2850x3800	1100
V-3000	3000	9	4	40%~60%	4500x2900x3850	1200