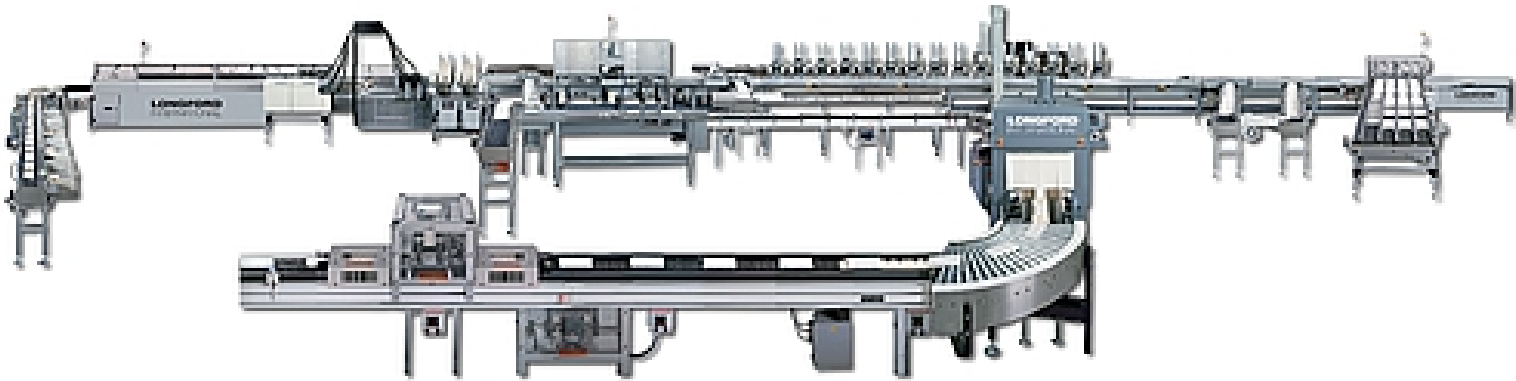


## *Longford Large Security Printer*



Design/build a turnkey system for book fulfillment with no human involvement from cheque binder to mail stream. Build all within a 4500 square foot (400sq/metres) existing facility. Provided a totally automated line from binder in-feed, tracking each security document and other printed media through the system into either an envelope package or into a shrinkwrapped carton package. Incorporate a custom pick-to-light system for volume. Printed media, image each package uniquely for each client. Provide complete audit trail and line performance software on an ongoing basis.

**Mandate:** Design/build a turnkey system for book fulfillment with no human involvement from cheque binder to mail stream. Build all within a 4500 square foot (400sq/metres) existing facility.

### **LONGFORD SOLUTION :**

Provided a totally automated line from binder in-feed, tracking each security document and other printed media through the system into either an envelope package or into a shrinkwrapped carton package. Incorporate a custom pick-to-light system for volume. Printed media, image each package uniquely for each client. Provide complete audit trail and line performance software on an ongoing basis.