

Automatic packaging machine DK-1011

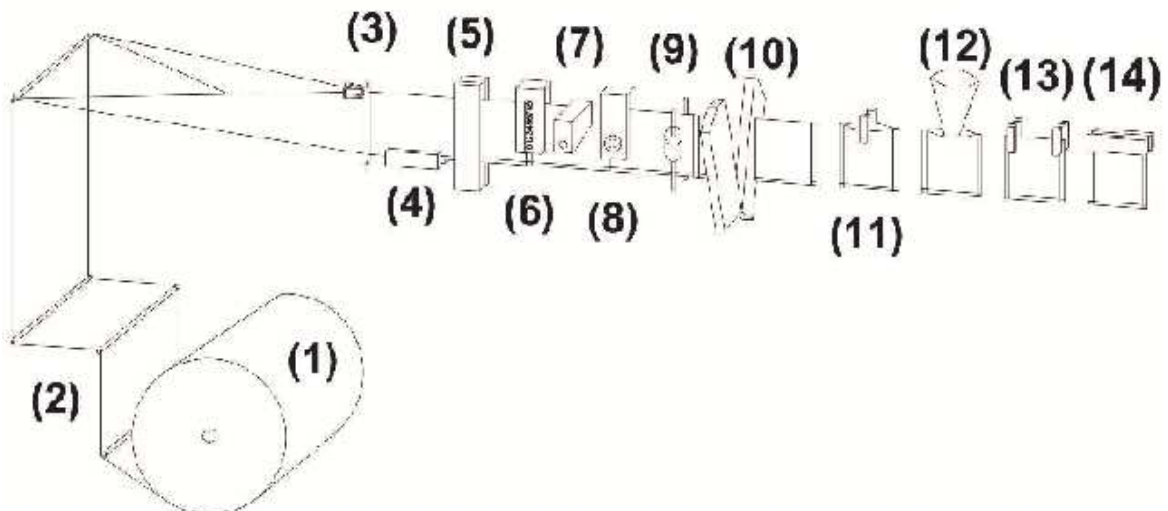


Economic models: For Biotechnology with general small package and the smaller size range.

FEATURES:

1. Machine by Full CAM Design, running high speed with high stability.
2. Operating Interface in Chinese/English.
3. Servo Film Feeding System, High Accuracy Photo Mark Registering.
4. Easy Size/Format Change within 30 minutes.
5. Available with Servo Auger Filler, Cup Filler, Piston Filler, Vibratory Feeder, Multi-Head Weighed, etc.
6. Including Hopper Level Detector available with Various kinds of Auto-Feeding System.
7. Including Various Detect Function, like End of Reel and Auto-Stop Machine when Alarm Up.

Machine Drawing:



1. Film reel expanded roll (Φ450mm)
2. Film tension control
3. Film edge control
4. Bottom sealing unit
5. Vertical sealing unit
6. Emboss coder
7. Photo mark registration system
8. Tear notch device
9. Servo film feeding system
10. Cutting Device
11. Vacuum Assisted Pouch Opening with Air Blowing
12. Filling station
13. Static Stretching Unit
14. Top sealing unit

規格表 Specification

| | |
|----------------------------|---------------------------|
| 機 型 M o d e l | 1011 |
| 製 袋 型 式 S t y l e | 三 四 面 封 3/4 Sides Seal |
| 製 袋 數 P o u c h e s | 1 |
| 充 填 站 數 Filling Station | 1 |
| 製 袋 寬 度 Format Width | 40-100 |
| 製 袋 長 度 Format Length | 60-140 |
| 產 能 Production | 60-80 |
| 充 填 量 V o l u m e | 90cc |
| 機 台 長 度 M/C Length | 2300mm |
| 機 台 寬 度 M/C Width | 1200mm |
| 機 台 高 度 M/C Height | 1620mm |
| 機 台 重 量 M/C Weight | 1400kg |

本機耗電量 (Power Consumption) 為6kW,
壓縮空氣 (Air) 為6-8Bar.