

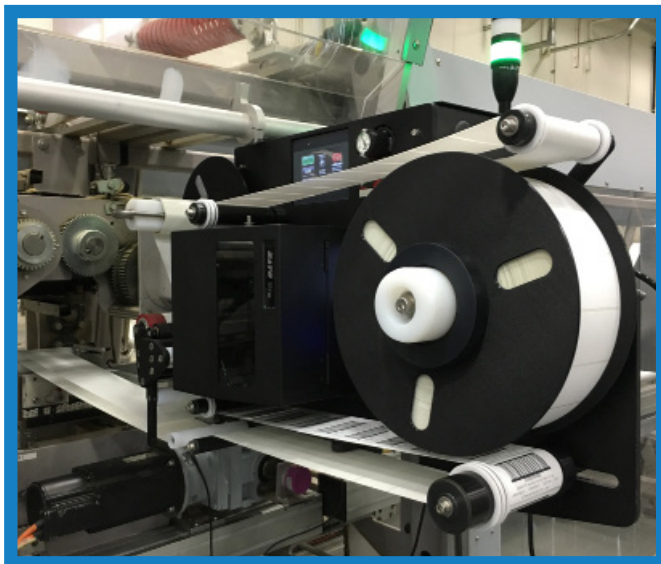
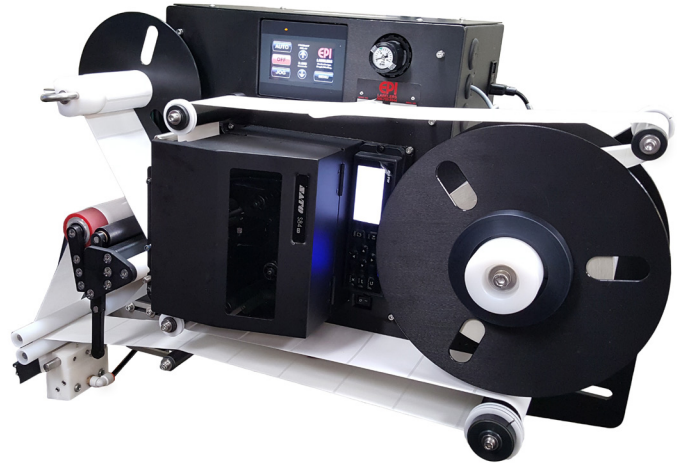
Model 262

Today's factories are facing more challenges, and Model 262 was designed to exceed those requirements.

The Model 262 was designed to be the solution to your high speed print and apply challenges, especially for GS1 compliance labeling.

It uses a high torque, five phase stepper motor to positively drive labels at the highest speeds. This powerful drive preserves the printer components, while allowing this labeler to reach in to the tightest spaces. The Model 262 even allows you to bypass the printer entirely and run completely pre-printed labels.

Using a special air-sprung label control system, the print speed is uncoupled from the label application speed, allowing for higher outputs to be achieved than with conventional label printer applicators.



Model 262 system integrated into tray forming and packaging machine.

Key Features

Special mounting with "operating" and "service" positions. Keeps operators safe by moving the machine away from moving equipment and product. Locks positively into place for production.

Simple, compact design for minimal maintenance and long term reliability.

Very large robust web drive/nip roller that gives superior control while reducing the wear and extending the life of print engine.

Short simplified web path for improved reliability and easy operator interface.

Rotating peel tip for automated product and supply changes – eliminates the need to continually re-web the label path, or to manually remove printed labels, between jobs.

Features

Label Size: 1" x 1" to 6.5" x 12"
Smaller/Larger size optional

Label Supply: 12" OD on a 3" Core

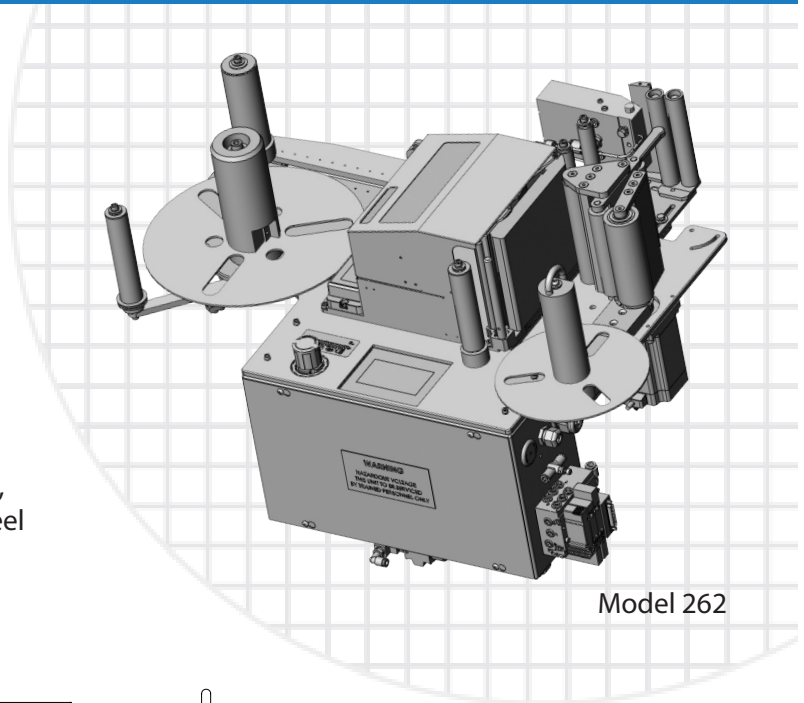
Electrical: 7A @ 120 VAC, 60HZ
other voltages optional

Pneumatic: .1 SCFM, 80 PSI

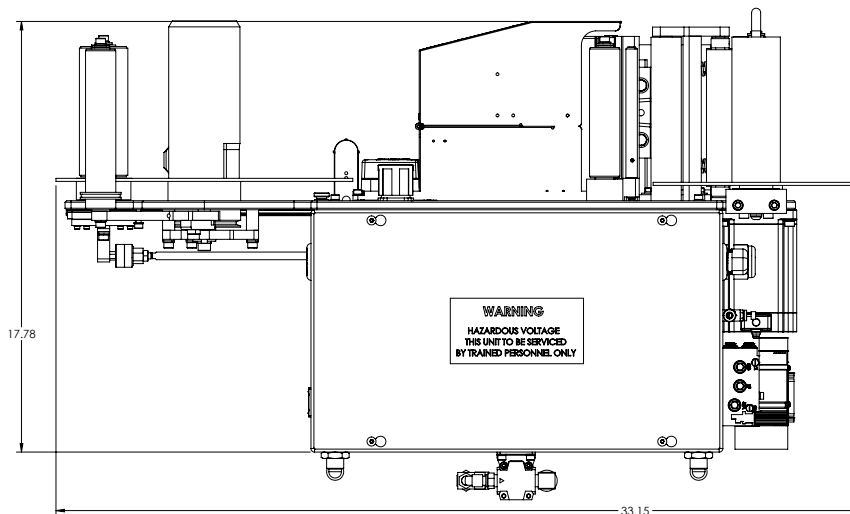
Speed: Variable up to 100 FT/min
Other speed and DPI optional

Construction: Stainless Steel, Aluminum,
UHMW, Powdercoated Steel

Configurations: Wipe-On
High Speed Blow-On



Model 262



Complimentary
Lifetime Equipment Warranty

Use our labels with our labeling equipment and we'll provide a lifetime equipment warranty.