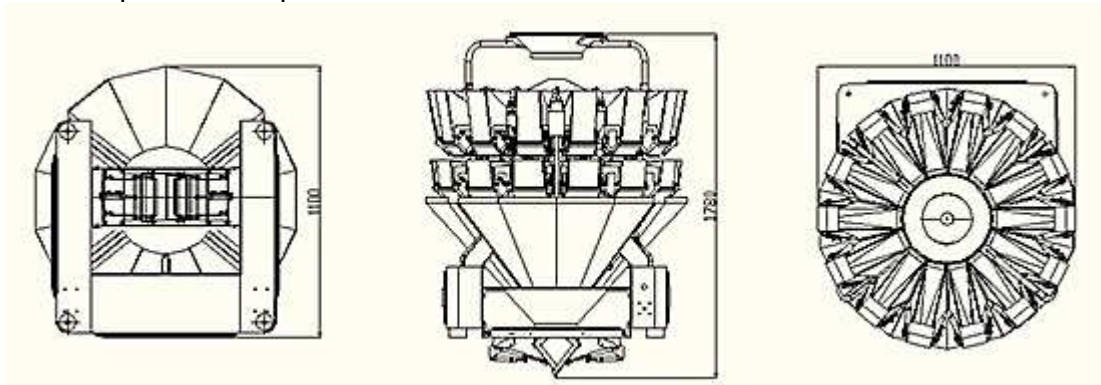




Z-T(P)14L1.6(2.5) 14 Head Multi head Weigher



Z-T(P)14L1.6(2.5) 14 Head Multi head Weigher is suitable for weighing of granule, slice, roll or irregular shape materials such as cereal, pasta, candy, seed, chips, coffee bean, nut, puffy food, biscuit, chocolate, pet food, frozen foods, etc. It is also suitable for non-food industry such as screws, bolts and plastic components.



Main Features:

1. Original program can be restored.
2. Easy cleaning and maintenance with clean function, all hoppers can stay open
3. Piece counting function
4. IP65 certificate
5. Unqualified weight reject
6. Step motor angle can be set according to different product
7. 99 program can be preset
8. Stagger dump prevents products blockage

Special Features:

1. Modular electronic system makes function expanding and maintenance easier and at lowest cost
2. Professional A/D card with high accuracy and stability. Interchange is available
3. HMI program with different authority management more user-friendly
4. HMI program can be upgraded by U-disk

Technical Specifications:

| Model | Z-T(P)14L1.6 | Z-T(P)14L2.5 |
|-------------------|--|--------------|
| Max. Max.Cap.(g) | 10-1500g | 10-3000g |
| Weighing Accuracy | ±0.1-1.5g | ±0.1-2g |
| Weighing speed | 120WPM | 120WPM |
| Hopper Capacity | 1.6L | 2.5L |
| Control system | MCU or PLC (Siemens or Rockwell Allen Bradley) | |
| Operation Panel | 7 inch touch screen | |
| Power Supply | AC220V ±10% ,50Hz(60Hz) 2KW | |
| Packing Dimension | 1100(L)×1100(W)×1780(H)mm | |
| Net Weight | 366 kg | |
| Packing Weight | 495 kg | |