



HYL-920

Square Wrap Around Labeling Machine

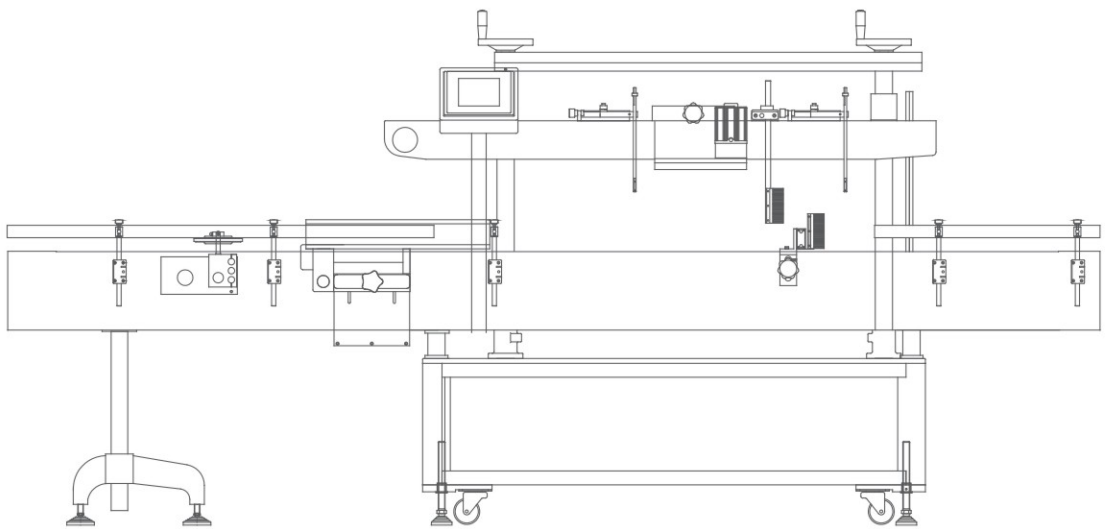


Product Descriptions

- It is an ideal machine for fast and automatic labeling of used in food, Pharmaceuticals, daily chemical and other light industrial square product.
- Simple structures ,it can complete the bottle body wrap-around labeling.
- Particular making device, excluding label wrinkling or forming bubbles.
- It can handle different kinds of bottles ,square bottles with three sides and four sides wrapped-around and pasted.

Specification & Features

- Servo motor labeling engine to ensure the speed and precision of the labeling, and stable accurate righting belt device ensures the centering of the bottle.
- Special elastic pressing device ensures the stability of the bottle.
- The unique bottle-turning device ensures the speed and stability of the labeling.
Optional online thermal printer, add second side labeling head or top labeling head to achieve more labeling requirements.
- It can be upgraded to double-sided labeling for oval bottles.
- User-friendly touch screen that can store 50 sets of labeling parameters, simple and intuitive operation, full-featured, and rich online help function.
- The use of world-class electrical components and all materials in line with GMP standards to ensure the long-term stability of the machine.



Technical Parameters

Items	Specifications
Bottle size	The length and width range from 20-90mm, and other sizes need to be evaluated by Huiyi technology Company.
Bottle appearance	Single side labeling: square, flat, oval bottle Square bottle wrap: a rectangular or square bottle with a circular cap or bottle neck as the center of symmetry. Asymmetric bottles need to be evaluated by Huiyi technology company
labeling speed	Mode: (A): 80 bottles / min, mode (B): 50 bottles / min Mode (C): 120 bottles / min, mode (D): 120 bottles / min
labeling precision	Excluding bottle and label error
Power	220VAC±5% 50Hz 1KW
Dimension (L x W x H)	3.150mm x 1.171mm x 1.482mm



Sunflower Technology Co.,Ltd

Add:3rd Floor, No.1 Xiayuan Shichang Road, Huangpu District , Guangzhou,China.
Tel: 0086 20-8202 2007 Fax: 0086 20-8206 1056
Email: info@sunflowerpack.com Web:www.sunflowerpack.com

