

VECTACRAFT

INNOVATE. INTEGRATE. INVIGORATE.

Product Catalog

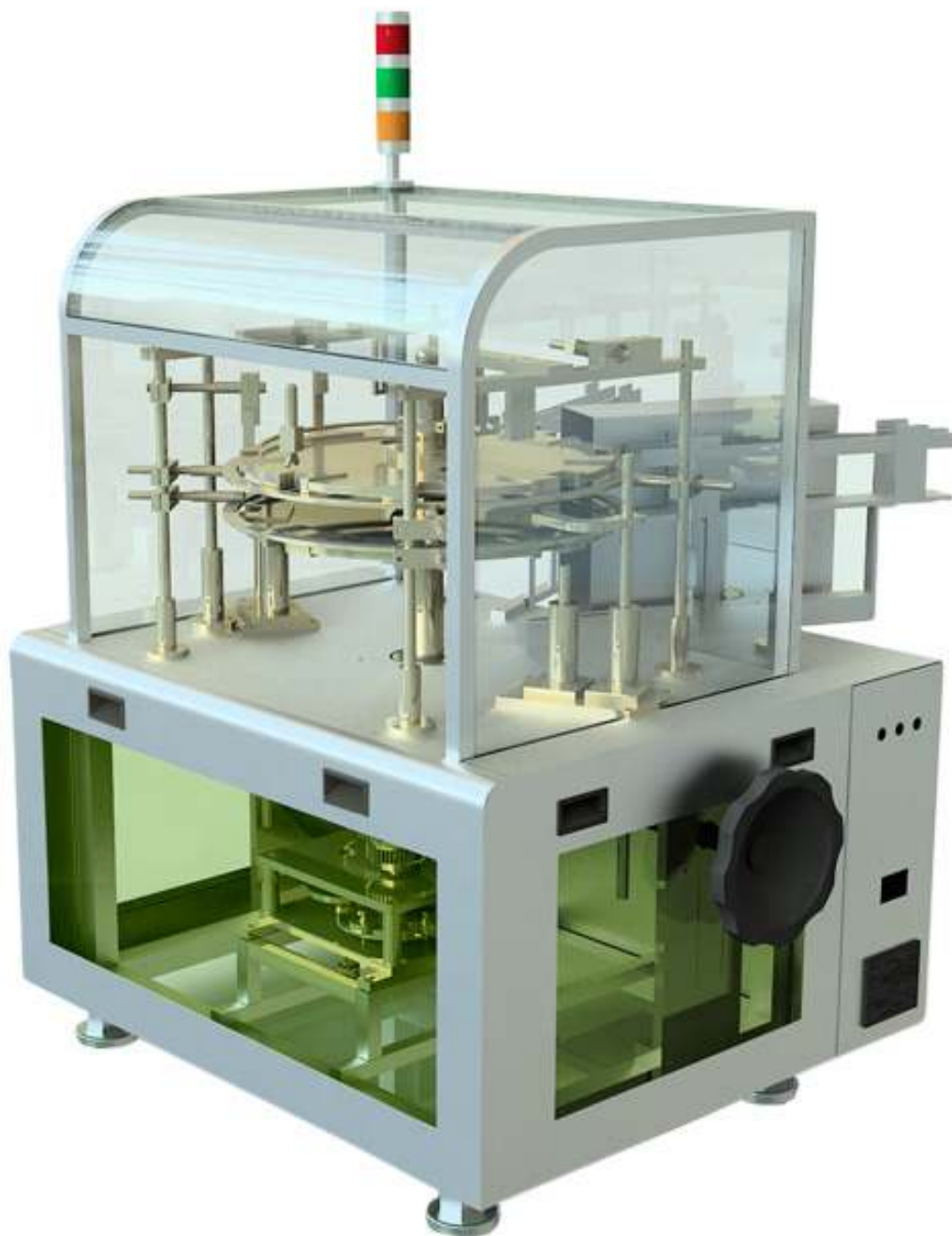
Cartoners

HARRIER



HARRIER

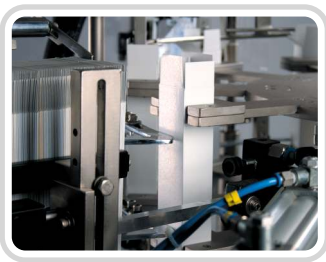
Vertical Cartoner for low speeds



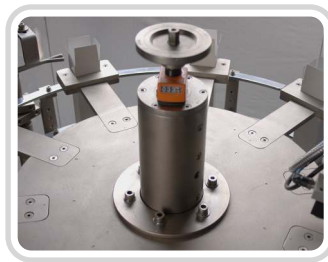
HARRIER

This vertical model is mainly of a semi-automatic kind. The manual loading/insertion of product helps accommodate small/multiple/odd-shaped products although auto in-feed is available for many products. Maximum capacity - 50 cpm.

The small footprint ensures this cartoner can be moved around to be used for any new product in a new section.



Carton Erection



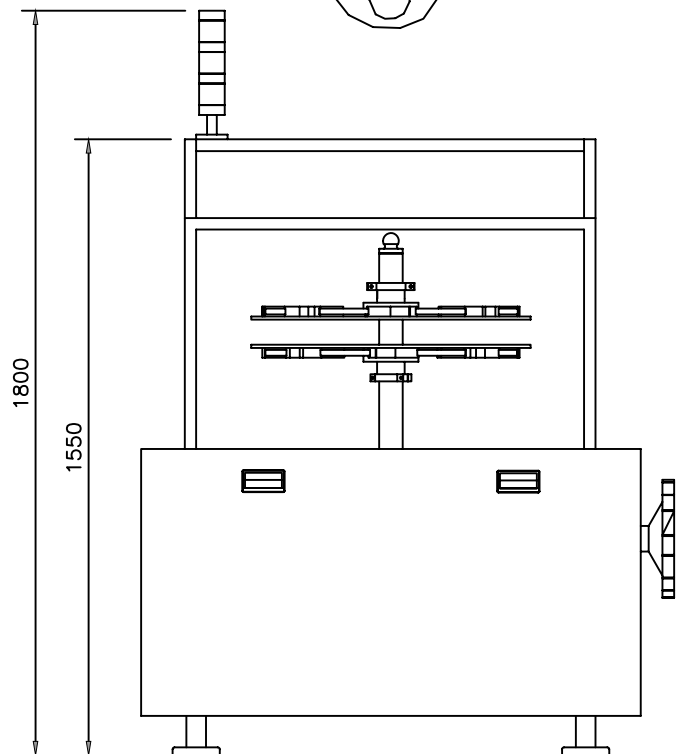
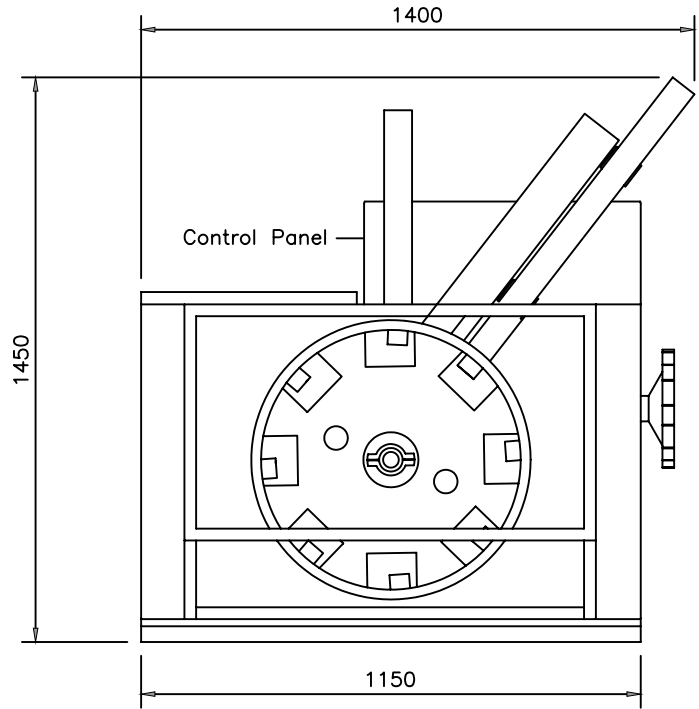
Product Loading Station

Features

- Automatic in-feed/transfer systems for varied products
- Quick tool-less changeover
- Leaflet feeding
- Different types of coding
- Tuck-in / Hot-melt carton closures
- Centralised lubrication system

HARRIER

Footprint



Note: All dimensions are in mm

Cartoner Program

MODEL	MERLIN 120XC	MERLIN 120XC6	MERLIN 180XC	MERLIN 240XC	MERLIN 300XC	KYTE A4	KYTE A6	KYTE A8	HARRIER
TYPE	HORIZONTAL								VERTICAL
CAPACITY (Max. cpm)	120	120	180	240	300	60	60	60	50
CARTON SIZE RANGE									
Length (Min-Max) in mm	60 - 200	75 - 220	60 - 200			75 - 220		50 - 220	
Width (Min-Max) in mm	20 - 65	25 - 115	20 - 65			25 - 125	25 - 150	20 - 100	
Height (Min-Max) in mm	15 - 55	25 - 80	15 - 55			25 - 80	25 - 100	15 - 80	
OPERATION*	C	C	C	C	C	I	I	I	I
PITCH (Product)	4"	6"	4"	4"	4"	4"	6"	8"	10-Station
UTILITIES									
Power	2.75 - 5 Kw		3.5 Kw	5 - 8 Kw		3.5 - 8 Kw		2.5 Kw	
Compressed Air (at 6 kg/cm ² pressure)	2 - 3 cfm		3 cfm	4 - 5 cfm		2 - 3 cfm		5 cfm	
OPERATOR	1								

* C = Continuous, I = Intermittent

VECTACRAFT

Other Products



MERLIN SERIES

Horizontal Continuous Motion Cartoners for medium and high speeds. 120 to 300 cpm



KYTE SERIES

Intermittent Cartoners for collated products. Speeds from 20 to 60 cpm



OSPREY SERIES

Collating & Wrapping of cartons and cuboids



KESTREL SERIES

Casepacker for varying products and speed range

About Us

With the wealth of experience and expertise garnered by its parent company SUBNIL over nearly 25 years in the packaging industry, VECTACRAFT specialises in innovating cartoners, bundlers and casepackers with speeds in cartoners starting from 25 cpm and going up to the 300 cpm rate which its flagship, the MERLIN 300XC, boasts.

VECTACRAFT exists, quite simply, to offer sound, custom-made solutions that can link fluently with any upstream primary packing machine, and also follow through to the end of the line.

Pencils, blister strips, pouches, tubes, sachets, bearings, bottles, vials are just a few of the varied products that are easily handled - individually, collated or in combination with other products or inserts. And the broad array of product sizes we allow for, coupled with the opportunity to benefit from ultramodern technology at smart prices has catapulted VECTACRAFT into every discerning buyer's consideration set. In fact, VECTACRAFT aims to position itself as the definitive one-stop-shop for anyone seeking a post-primary packaging answer.

The young, firebrand sales team at VECTACRAFT is driven by its goal to identify every type of packaging problem that a manufacturer may encounter. Our uncompromising Research & Development division devotes itself to coming up with ways to decimate these problems. And the finesse of our production personnel, of course, really puts the 'craft' in VECTACRAFT.

Geared to invigorate the assembly line and revolutionise the industry, this truly is the future of secondary packaging automation.



Our Customers

Abbott**Dabur****Havell's****PZ Cussons****American Lion****Emami****Hindustan
Unilever****Ranbaxy****Ajanta****FDC****Indoco****Sanofi-Aventis****Alkem****Elder****Ipca****Unique****Balsara****GSK****Knoll****Wockhardt****Cadila****Glenmark****Paras****Zandu****Cheryl**

We leave no stone unturned when it comes to customising solutions. More often than not, we work closely with the upstream machine producer, in our endeavour to offer our customers an integrated line. If necessary, we even have it brought into our workshop to undertake the integration. This helps us in simulating an actual production sequence. But that's not all. We often provide, upon request, add-on equipment that we may not even manufacture, as part of the line, if it suits a customer's requirements better.

To us, customer satisfaction and trust are of paramount value. And closing a sale is merely the beginning of bonds that are forged over time. Today, there are only a handful of players in the industry that can go the distance and VECTACRAFT, let it be said, intends to lead the pack.

VECTACRAFT

INNOVATE. INTEGRATE. INVIGORATE.

VECTACRAFT MACHINERIES P. LTD.

158, Vidyanagari Marg, Kalina,
Mumbai 400 098, INDIA.

P +91.22.6697 0151

F +91.22.6693 8114

E info@vectacraft.com

W www.vectacraft.com

