



Multilane Stickpack



NICHROME

Multilane Stickpack with Multi Head Servo Auger Filler

- For Non-Free Flow Powders
- For Food Chains and Hospitality Industry
- CE Compliant



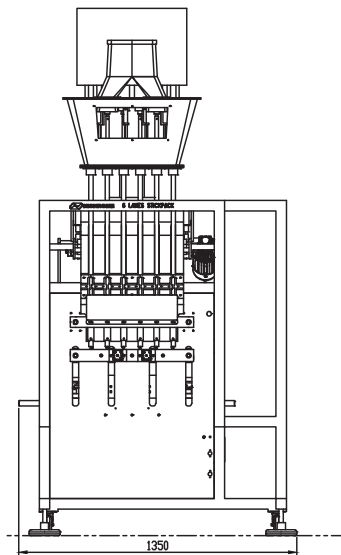
NICHROME
Packaging Solutions

An ISO 9001:2008 and ISO 22000:2005 Certified Company

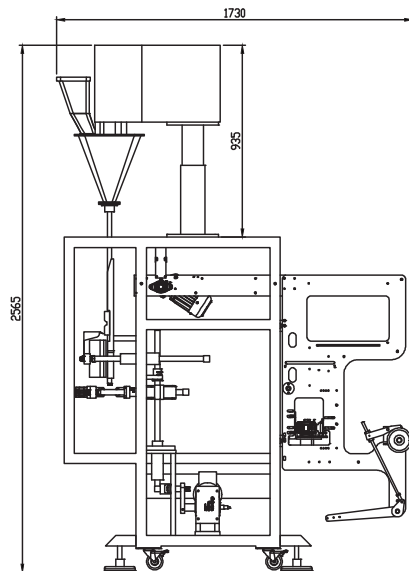
www.nichrome.com

Technical Specifications

Pack Style/Format	Centre seal stickpack	
No. of Lanes	2, 3, 4, 5, 6 & 10 lanes (depending on stick width)	
Quantity	2 g to 20 g	
Capacity	30 - 35 packs/lane	
Packing Material	Heat sealable laminate films like polyester/poly, Metalised polyester/poly or Aluminum foil poly, etc.	
Pack Size Range	Minimum Pack Size	25 mm W x 50 mm L
	Maximum Pack Size	45 mm W x 170 mm L
	(Only dedicated single fixed width available)	
Maximum Roll Width	600 mm max.	
Maximum Roll Diameter	450 mm	
Air Consumption	6 bar, 300 litres/min	
Electrical Supply	Stabilised 415 VAC, 3 phase, 4 wire, 50 Hz, 5 KWH	
Overall Machine Dimension	1700 mm W x 1000 mm D x 2600 mm L	
Weight of the Machine (approx.)	600 kg	



FRONT VIEW



SIDE VIEW

Multilane Stickpack Bagger

- Intermittent Motion Machine
- Machine structure in Stainless Steel
- Equipped with CE certified PLC controller
- Pneumatically operated bag length control with table draw-off system
- Pneumatically operated longitudinal and cross sealing jaw assemblies suitable for Laminates
- Built in forming size parts suitable for dedicated/fixed pack width for each lane
- Equipped with print mark registration unit for using panel printed films
- PID temperature controllers suitable for constant sealing system
- Built in safety door guards with machine off interlock
- Various options of date batch coding units

Multiple Head Servo Auger Filler

- Multiple Head/Spindle Servo Motor driven Auger Filler
- Designed for accurate dust free dispensing of product
- Servo Auger drive and matched motion controller for independent fill control of the auger
- Equipped with Stainless Steel Hopper assembly with dust tight covers and a product entry tube
- Built in set of custom engineered auger tools
- Built in set of agitators to assist product flow

Applications

Milk powders, Coffee powder, Tea & coffee premix, Nutraceutical powders, Seasoning powders, Spice powders, Pharma powders, Health drink powders.

Pouch Formats

Centre Seal Stickpack



NICHROME
Packaging Solutions

NICHROME INDIA LTD. Safire Park Galleria, 4, Pune-Mumbai Road, Shivajinagar, Pune - 411 005, India
Tel.: +91 - 20 - 6601 1001 Fax: +91 - 20 - 6601 1010 E-mail: marketing@nichrome.com www.nichrome.com

Service Centres & Offices at: Delhi | Kolkata | Mumbai | Bangalore | Hyderabad | Chennai | Ahmedabad | Chandigarh | Kanpur
ASEAN | MIDDLE EAST | SAARC | CIS | AFRICA | USA

Packaging Solutions For • Liquids • Grains • Powders • Seeds • Snacks • Pharma • Personal Care