

CVC202 & 1000 Electronic Counter

- Lower Operating Costs

- Increase Operating Flexibility

- Unparalleled Service

- Quality that your Customers Demand



The CVC202 and CVC1000 Electronic Counters are economically designed for semi automatic or fully automatic counting of tablets, soft gels, and capsules into bottles. The 202 Counter is designed for semi automatic table top counting. The 1000 is an integrated machine including single or dual 202 heads mounted over an inline conveyor for fully automatic counting. Both machines operate using a simple and reliable rotary disc and sensor design for mid to high speed counting applications.

Solid Dose Bottling Lines

• Built to cGMP Standards • Stainless Steel Construction • Compact Design • Quick & Easy Change Over

Blister Packaging
Cartoners
Labelers

"Leading Global Equipment Supplier"

www.cvcusa.com



CVC Technologies, Inc.

CVC202 & 1000 Technical Specifications

Standard Features:

- Stainless Steel Construction
- Dust Accumulation Ports
- Translucent Product Mode
- Counting Speeds (Single Head):
 - Tablet: Up to 1800 pieces per minute
 - Capsule: Up to 1300 pieces per minute

Product Specifications:

- Product Width: 5/64" to 3/4" (2mm – 20mm)
- Product Length: 5/64" to 1" (2mm – 25mm)

Container Specifications:

CVC202:

- Bottle Height: 2-3/4" to 7-7/8" (70mm – 200mm)
- Bottle Diameter: 1-1/4" to 4" (32mm – 100mm)
- Bottle Opening: 1" to 4" (25mm – 100mm)

CVC1000:

- Bottle Height: 1-1/2" to 6" (38mm – 153mm)
- Bottle Diameter: 1-1/2" to 3-1/4" (38mm – 83mm)
- Bottle Opening: 1" to 3" (25mm – 76mm)

Machine Specifications:

CVC202:

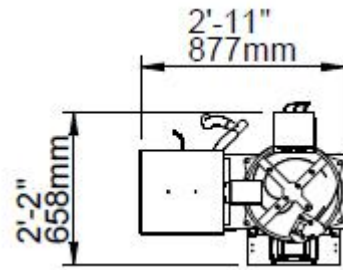
- Machine Weight: 137lbs (62kg)
- Power: 110V, 2A (220V 50/60Hz, Single Phase Available)

CVC1000:

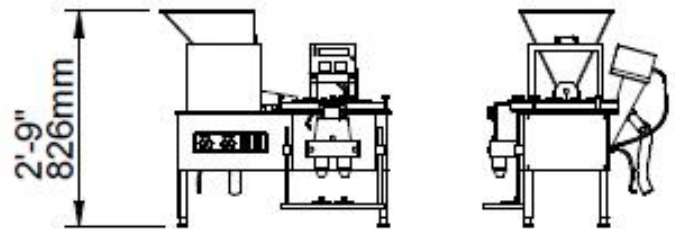
- Machine Weight: 794lbs (360kg)
- Dual Lane Conveyor Length: 9' 10"
- Conveyor Width: 8-1/2"
- Conveyor Bed Height: ±36" from Floor
- Power: 220V, 50/60Hz, Single Phase, 6A
- Air: 4cfm @ minimum 87psi (*Air must be dry and clean)

Machine Layouts:

CVC202:

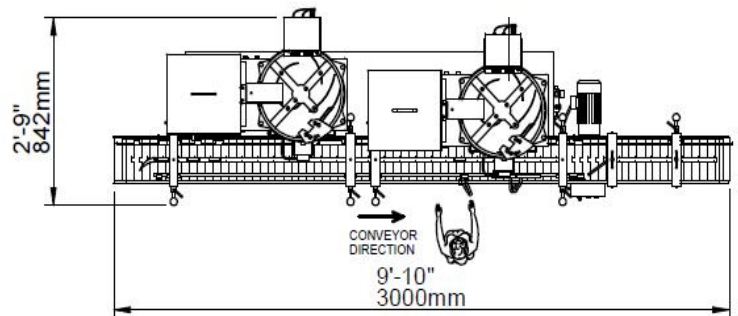


Top View

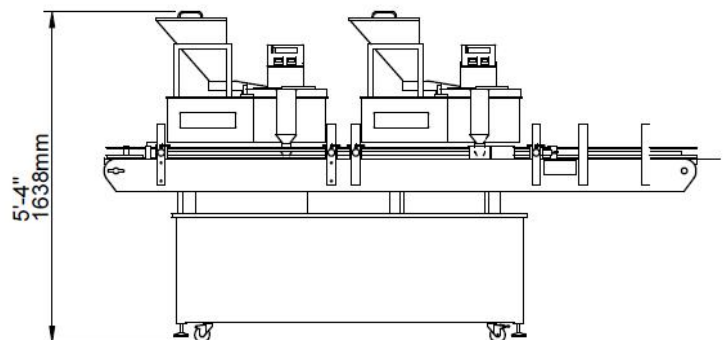


Front View

CVC1000:



Top View



Front View



Quality • Value • Service

Authorized CVC Dealer



Copyright © CVC Technologies, Inc. • Jan. 2012 Edition

Dimensions shown are for a standard machine. Each unit can run independently. The 1000 can be integrated into an automated packaging line and must be purchased with either a single or dual lane conveyor (this does not apply to the 202). All CVC equipment is covered by a one year parts warranty. Full Warranty details are included in our equipment proposals or can be found on our website.