

Model RU 3200 Unscrambling Rotary Table

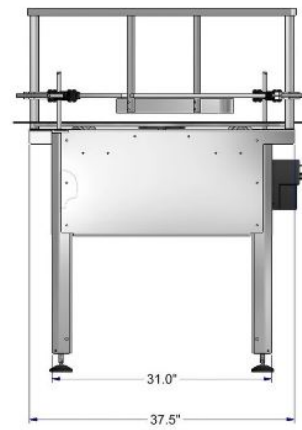
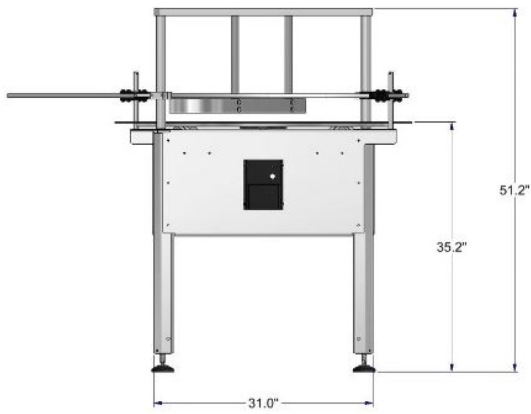
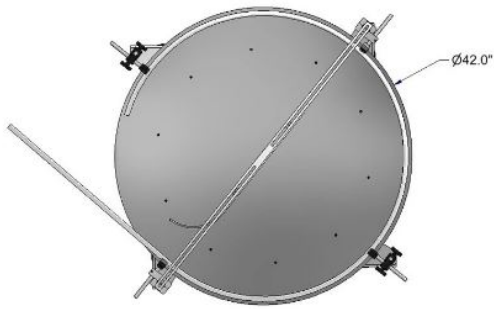


Features:

- 42 inch diameter table manufactured in 1/8" width 304 stainless steel.
- Support of stainless steel disc by 1/2 inch aluminum plate.
- Main structure manufactured in 2 inch stainless steel square tube.
- Bottle orienting guide supported by 2 inch tube.
- Includes stainless steel covers on 4 sides.
- Power provided by DC gear motor.
- Speed control by potentiometer.
- Variable speed up to 150 containers per minute.

DRAWING:

Rotary Table RU3200



MACHINE MODEL: RU3200	ACASI MACHINERY INC	PAGES: 1
MACHINE CAPABILITIES:		DM:
PRODUCTION SPEED:	WEIGHT:	SCALE:
OPTIONS:	ADDITIONAL OPTIONS:	DATE: 6/29/2013