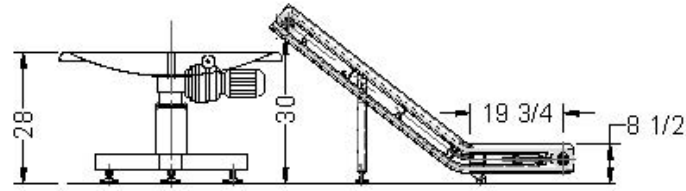
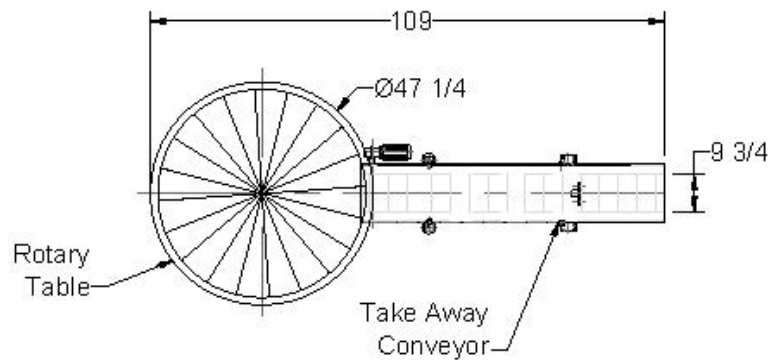


STAINLESS STEEL TAKE AWAY CONVEYOR



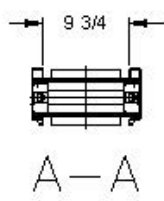
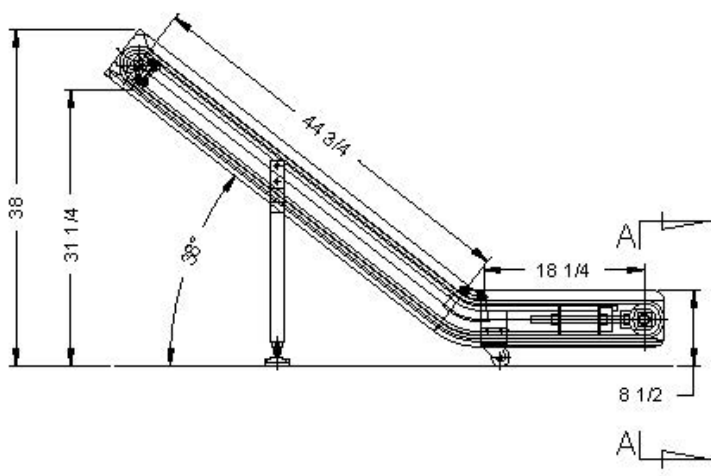
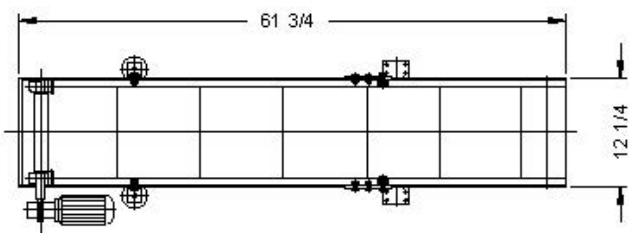
Stainless Steel Cleated Incline Take Away Conveyor VFFX-35

- Brings Bags from Bagger To Working Height
- Stainless Steel Construction
- Heavy Duty Food Grade Plastic Belt



DRAWN W. Marchand	DATE 9/11/15	OHLSON Packaging		
DESIGNED		TITLE		
QA		Rotary Table & Take Away Conveyor Layout		
APPROVED		REV A	CUSTOMER CODE RT&TA	REV A

ELECTRICAL REQUIREMENTS:
(1) 3A 220VAC 3P



DRAWN W. MARCHAND	DATE 09/10/2015	OHLSON		
DESIGNED		TITLE		
QA		VFFX-35 - TAKE AWAY CONVEYOR		
APPROVED		REV C	CUSTOMER CODE	REV A
DIMENSION IN INCHES		SCALE	SHEET 1 OF 1	