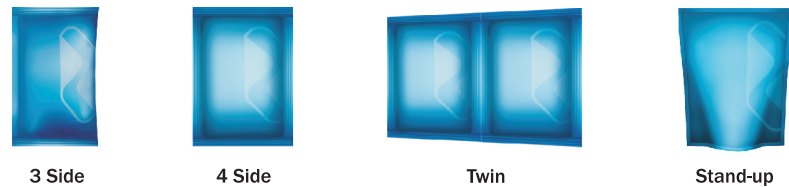
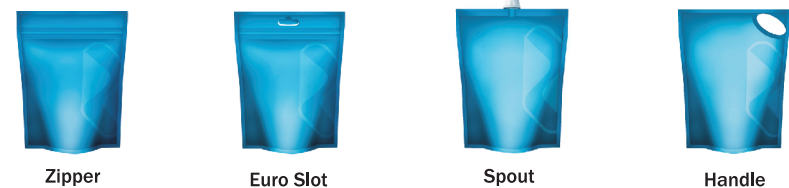


Pouch Formats

Basic Pouch



Specialty Pouch



NICHROME & TOTPACK Packaging Solutions

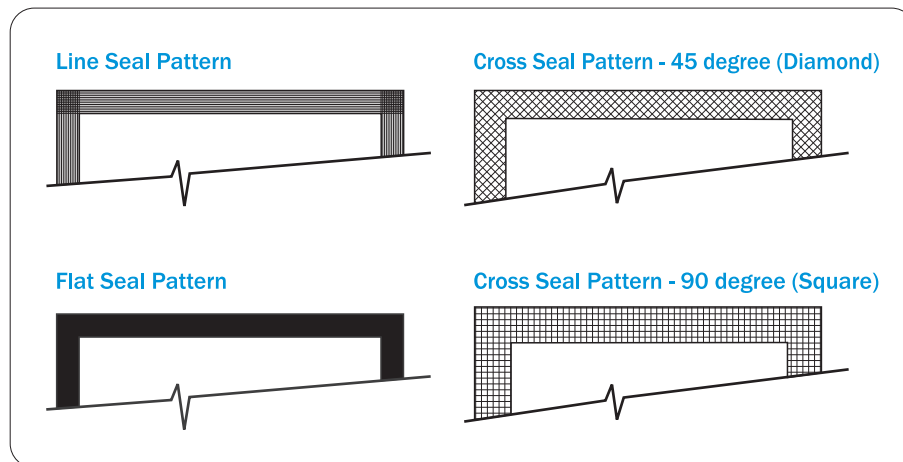
With over 35 years of experience in Design, Development & Manufacturing, 6000 installations across 45 countries, and 8 offices in India, Nichrome has evolved as a premium brand for all your packaging needs.

TOTPACK (Spain) is a technology specialist of Horizontal Form Fill Seal Packaging Machines. It is an internationally renowned company, backed by strong domain knowledge with extensive experience in HFFS machines for packing a wide range of products.

Nichrome is proud to present the advanced and efficient Spanish technology from TOTPACK in its Horizontal Form Fill Seal Machines. These machines incorporate the expertise and high-tech capability adhering to international standards & regulations, and modern designs in tune with the market requirements.

Nichrome TOTPACK has developed several innovative solutions for cosmetic, health care, chemicals, dried fruits, juices, concentrates, nectars, syrups, pastes, etc.

Sealing Patterns



T-110



T-140



T-170 FE and SC



T-200

August 2014 intericsdesigns.com



H F F S

NICHROME

TOTPACK

Versatile Solutions for all Industries

- New Generation
- Linear Technology
- Pouch Aesthetics



NICHROME INDIA LTD, Safire Park Galleria, 4, Pune-Mumbai Road, Shivajinagar, Pune - 411 005, India
 Tel.: +91 - 20 - 6601 1001 Fax: +91 - 20 - 6601 1010 E-mail: marketing@nichrome.com www.nichrome.com
 Service Centres & Offices at: Delhi | Kolkata | Mumbai | Bangalore | Hyderabad | Chennai | Ahmedabad
 ASEAN | MIDDLE EAST | SAARC | CIS | AFRICA | USA

Packaging Solutions For • Liquid • Grains • Powders • Seeds • Snacks • Pharma • Personal Care

An ISO 9001:2008 and ISO 22000:2005 Certified Company



www.nichrome.com

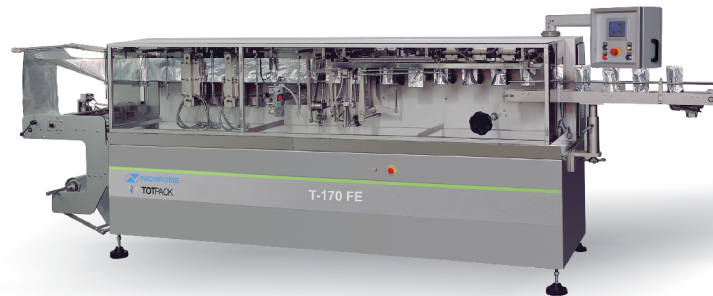
T-110



T140 (Duplex)



T-170 FE



| Filler Options | Filler Type | Product Examples |
|----------------|------------------------------|--|
| | Servo Auger Filler | Powders like ORS, Pharmaceutical, Spices, Milk, Coffee, Health Drinks, Instant Mixes, Premixes, Coconut & Hair Dye. |
| | Cup Fillers | Free Flowing powders and granular products like ORS, Sugar, Rice, Cheese Balls, Pulses & Detergents. |
| | Linear / Gate Weigher | Granular products like Tea, Pulses, Seeds, Rice & Sugar. |
| | Multi Head Weigher | Snacks, Dry Fruits & Nuts, Confectionaries, High count biscuits, Namkeens, Soya chunks, Pasta, Shortcut Vermicelli, Frozen Foods & Dry Fish. |
| | Piston Filler | Viscous products like Pastes, Pickles, Ketchup, Sauces, Fruit Pulps, Ghee, Vanaspati, Edible Oil, Shampoos, Gels, Cosmetics, Hair Dye & Adhesives. |
| | Gravity Filler / Flow Meters | Free flowing Liquids like Milk, Lassi, Buttermilk, Flavoured Water, Health Drinks, Non Carbonated Beverages, Liquors & Wines, Oil & Juices. |

Special Note: Filler configuration will depend on volume range and other parameters.

Salient Features

- PLC based machine with touch screen interface
- Facility to offer single or perforated chain of pouches
- Compact & versatile design
- Auto tuning temperature controller
- Mechanically operated horizontal seal system
- Duplex models available for higher outputs
- Easy & quick change over

Technical Specifications

| Machine | T-110 | T-140 | T-170 FE | T-170 SC | T-200 |
|--------------------------------------|--|---|--|--|--|
| Volume (cc) | | | | | |
| Simplex | 1–60 | 5–250 | 90–1000 | 90–1000 | 90–1500 |
| Duplex | 1–20 | 5–90 | N.A. | N.A. | 45–750 |
| Rated Output (packs/min) | | | | | |
| Simplex | 110 | 100 | 45 | 45 | 80 |
| Duplex | 220 | 200 | | | 160 |
| Pouch Formats | 3 side seal 4 side seal | 3 side seal 4 side seal Zipper Contour/Profile | 3 side seal 4 side seal Stand up Zipper Handle Spout Contour/Profile | (Pre-formed) 3 side seal 4 side seal Stand up Zipper | 3 side seal 4 side seal Stand up Zipper Handle Spout Contour/Profile |
| Pack Size Range | | | | | |
| Simplex | | | | | |
| Min. pack size (WxL) mm | (30x30)x1 | (70x100)x1 | (80x130)x1 | (80x130)x1 | (100x100)x1 |
| Max. pack size (WxL) mm | (110x130)x1 | (140x200)x1 | (170x270)x1 | (170x270)x1 | (200x300)x1 |
| Duplex | | | | | |
| Min pack size | (30x30)x2 | (50x100)x2 | N.A. | N.A. | (70x100)x2 |
| Max pack size | (65x130)x2 | (70x200)x2 | N.A. | N.A. | (100x300)x2 |
| Max. Roll Diameter (mm) | 450 | 450 | 450 | N.A. | 450 |
| Max. Roll Width (standard) | 260 | 400 | 540 | N.A. | 600 |
| Max. Roll Width (stand-up) | N.A. | N.A. | 630 | N.A. | 720 |
| Core Diameter (mm) | 70–75 | 70–75 | 70–75 | N.A. | 70–75 |
| Power Consumption (kW) | | | | | |
| Simplex | 1.8 | 2 | 5.9 | 3.7 | 6 |
| Duplex | 3 | 3.2 | N.A. | N.A. | 6.5 |
| Machine Dimensions (LxDxH) mm | 2120x820x1840 | 2980x940x2110 | 4720x1100x2500 | 2960x980x2500 | 5560x1070x2350 |
| Supply Voltage | 415 V-AC, 3 Phase, 50Hz or equivalent | | | | |
| Packing Material | Heat sealable laminates like PET/PE, Paper/Alu-foil/PE, Alu/PF, PET/Alu-foil/PE or Co ex films | | | | |
| Air Consumption | 7–10 cfm or 12–17 cubic meter/hr @ 6 bar pressure | | | | |

Accessories

- Twin Pouch Cutter
- Dashed V-shaped Tear Notch
- Euro Slot / Round Hole
- Perforation
- Round Edge Pouch
- Special Form Matrix
- Funnel / Bottom Vibrator
- No fill – No pouch
- Counter
- Fill Funnel
- Tachometer
- UV Film Sterilization

Optional Accessories

- Emboss Coder
- Printers
- Counting and Collating of packs
- Gas Flush
- Dust Exhaust / Dust Collector
- Material handling system