

IN-LINE

Labeling Equipment, Inc.

7282 Spa Road North Charleston, SC 29418

Phone: (843)569-2530 Toll Free: (800)465-4630 Fax: (843)569-2531

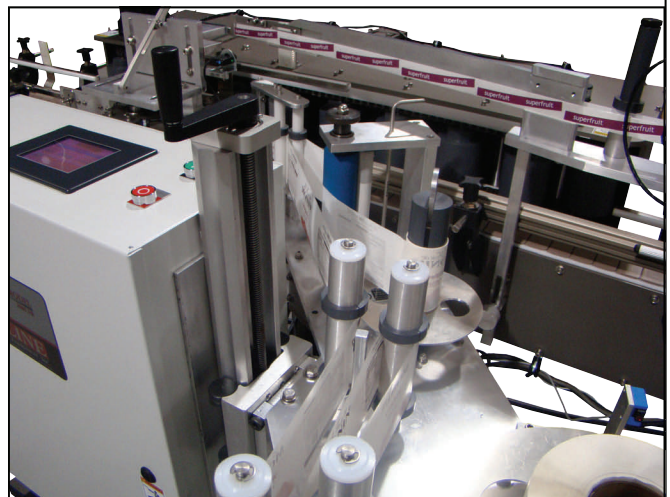


2000NR Pressure Sensitive Labeler

The Model 2000NR is designed to apply front and back labels to non-round and round bottles at speeds up to 300 bpm. By adding our Wrap Station Assembly, the 2000NR can also apply single-wrap labels or front and back labels to round bottles. Conveyor speeds and label application are controlled through the use of state-of-the-art motion controls, stepper motors and servos. An operator controlled Touch Screen Interface insures ease of operation and convenience.

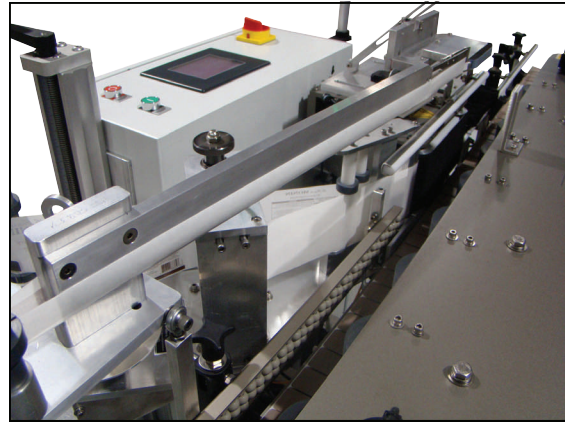
With Feed Screw infeed as a standard, the precision of the label placement is incredible. Servo driven Labeling Heads insure repeatability and accuracy of both the starting and stopping of the web.

The Model 2000NR is equipped with our “Autoset” function which allows the machine to measure the label length, the bottle diameter and calculate the appropriate timings. Up to 100 settings can be stored as recipes and retrieved later. If you are looking for accuracy and dependability in a production labeler, this machine is for you!



Features

- Designed for 1" to 6" diameter and 14" tall containers and labels sizes from 1" to 6" tall and 14" in length.
- Label can be moved up to 8" from base of container.
- Accepts random bottle feeding or continuous production. Sensors control the infeed flow by starting and stopping the feedscrews.
- Changeovers require no tools and take less than 15 minutes.
- Microprocessor controlled with Touch Screen Operator Interface. Stepper driven conveyor, servo-driven applicators.
- Accepts industry standard 3" diameter core and 14" label roll size.
- Speeds up to 300 bpm depending on label length. Web speeds up to 2000 ipm.

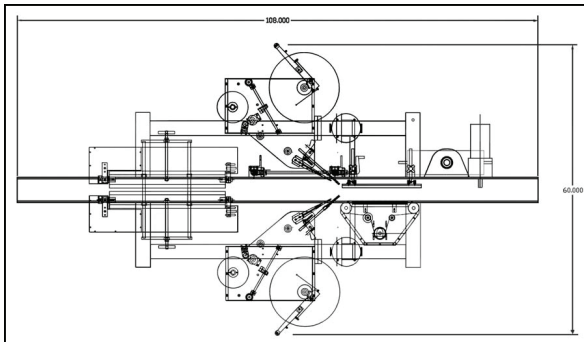


Options

- Hot Stamp coding for lot/date information.
- Extra Tall Label Kit for labels up to 7 1/2" tall.
- Wrap Station permits labeling of round containers with a single wrap label or front and back application.

Specifications

Conveyor width:	4 1/2"
Conveyor height:	32" Standard (+2" up)
Conveyor length:	108"
Overall machine width:	52"
Overall machine height:	68"
Overall machine length:	108"
Overall machine weight:	600 pounds
Power requirements:	120 volt AC, 60 cycle, 20 amp power
Compressed air:	3-4 cfm @ 65 psi if required



7282 Spa Road
North Charleston, SC 29418
Phone: (843)569-2530
Toll Free: (800)465-4630
Fax: (843)569-2531