



## *Model RM 3200 Rotary Mid Overflow Backup Table*

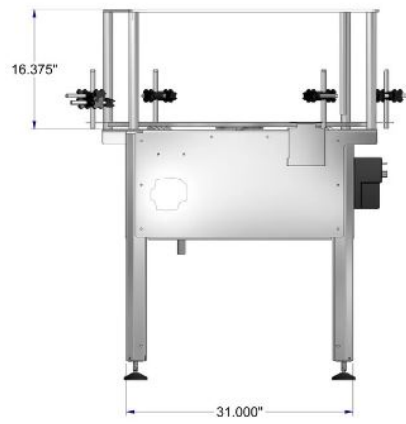
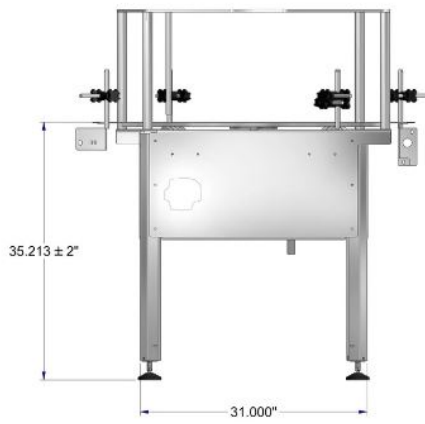
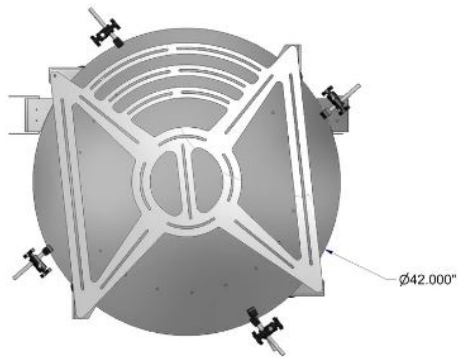


### **Features:**

- 42 inch diameter table manufactured in 1/8" width 304 stainless steel.
- Support of stainless steel disc by 1/2 inch aluminum plate.
- Main structure manufactured in 2 inch stainless steel square tube.
- Includes stainless steel covers on 4 sides
- Power provided by 3-phase AC motor.
- Speed control by VFD.
- Variable speed up to 150 containers per minute.

DRAWING:

RM3200



MACHINE MODEL: RM3200	ACASI MACHINERY INC	PAGE: 1
MACHINE CAPABILITIES:		DM:
PRODUCTION SPEED:	WEIGHT:	SCALE:
OPTIONS:	ADDITIONAL OPTIONS:	DATE: 2018/03/03