

# Square-Cone Mixing Machine

## FX Series



## Square-Cone Mixing Machine

**FX** series Mixer is used in pharmaceutical industry mainly for mixing of granules and powder, granules and granules, powder and powder. It gains the merits of large batch size, proportional load supporting, steady operation, etc. Meanwhile, it can be widely used in such areas as raw medicine material industry, chemical industry, foodstuff industry, etc.



**Principle:**

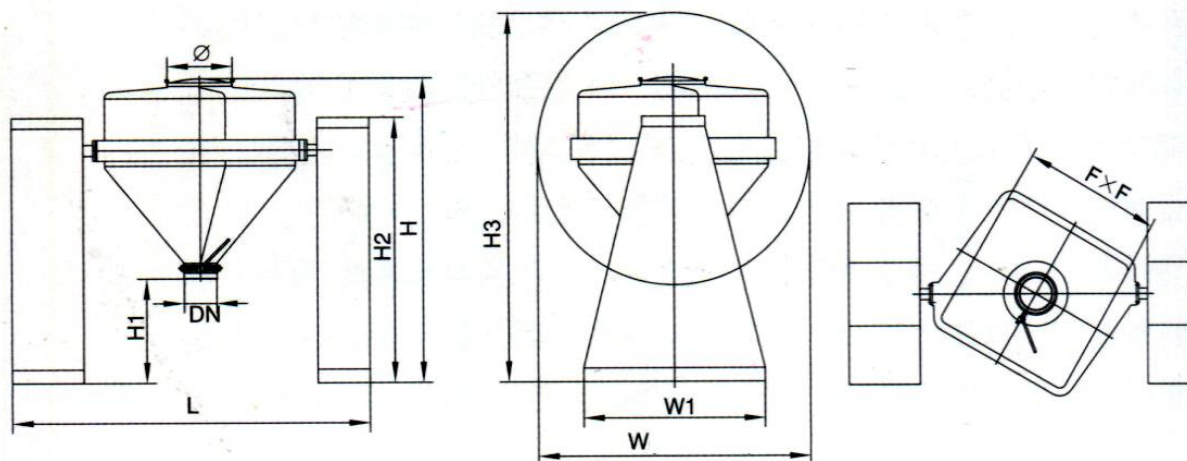
FX series Mixer consists of supporting shelf, driving system, controlling system, etc. To start to work, charge the materials into the container and close the cover. Assign the parameters as mixing time, mixing speed according to requirements. Switch on the button to start the driving motor, the machine starts to work. Reaching to the assigned parameters, the braking system works, the machine stops accordingly with the container orientated vertically. The mixing craft is then finished and can separate, the braking system works, the machine stops accordingly with the container orientated vertically. The mixing craft is then finished and can separate materials from the container. The structure trait of HGD series Mixer is that the container and the mixing axis make of an angle, the movement of the materials inside the container contains not only overturn, but tangent movement along the wall of container. This gains it a perfect mixing efficiency.

**Features:**

FX series Mixer is the brand-new successfully type by our company widely researching, absorbing and digesting foreign updated models. It has compact structure, steady performance and is convenient to operate. There is no dead angle, no concave-convex face and no screw on surface. All angles are cambered. The surface outside and inside is polished to high quality. Roughness degree inside is  $Ra \leq 0.2 \mu m$ , and outside is  $Ra \leq 0.4 \mu m$ . Applying sealing appliance made of silicon latex on the cover of the container to gain a good airproof quality, and butterfly valve against wrong way operation. It's easy to wash. Charging coefficient arranges from 50% to 80% with adjustable mixing time and speed, the mixing efficiency reaches to 99%. It's in conformity with the GMP requirements



Dimensions:



Technical Data	FX-400	FX-600	FX -800
L	1950	2500	2650
W	1500	1600	1830
W1	1200	1200	1200
F	800	900	1000
H	2250	2350	2580
H1	800	800	800
H2	1720	1800	1900
H3	1940	2040	2160
DN	200	200	200
Φ	400	500	500
Blending speed(rpm)	3~20	3~20	3~15
Max bin volume(L)	400	600	800
Loading volume(L)	320	480	640
Loading Weight(Kg)	200	300	400
Power(Kw)	2.2	3	3
Weight(Kg)	600	700	800

SaintyCo also offer:

Encapsulation Solutions

Tablet Compression Solutions

Coating Systems

Cartoning Systems

Blister Packing Solutions

