



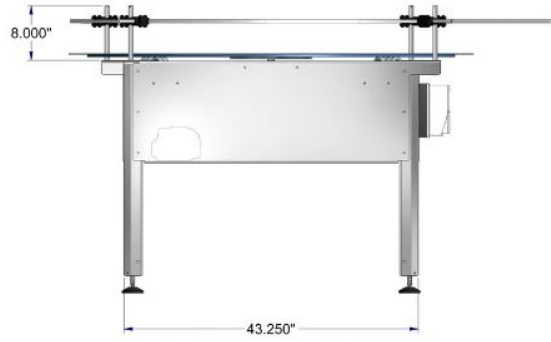
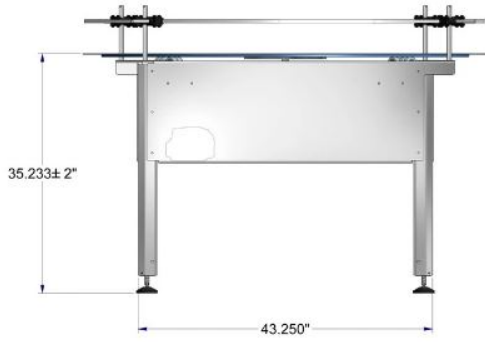
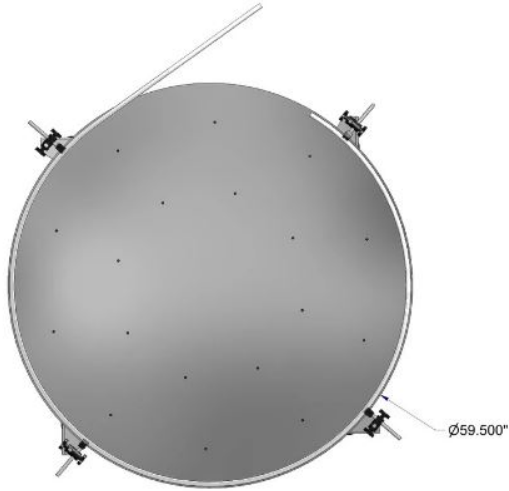
Model RA-59 Accumulating Rotary Table



Features:

- 60 inch diameter table manufactured in 1/8" width 304 stainless steel.
- Support of stainless steel disc by 1/2 inch aluminum plate.
- Main structure manufactured in 2 inch stainless steel square tube.
- Includes stainless steel covers on 4 sides
- Power provided by 1/4 Hp, DC gear motor.
- Speed control by potentiometer.
- Variable speed up to 150 containers per minute.

DRAWING: RA60



MACHINE MODEL: RA60	ACASI MACHINERY INC	PAGES: 1
MACHINE CAPABILITIES		DWG:
PRODUCTION SPEED:	WEIGHT:	SCALE:
OPTIONS:	ADDITIONAL OPTIONS:	DATE: 29/06/2018