

COMPACT Series

One step shrink wrap machines without tunnel

*Packaging*Solutions



COMPACT Series

One step shrink wrap machines without tunnel



Technical Specifications

	Compact 4500-i	Compact 5800-i	Compact 7000-i	Compact 8000-i	Compact 5800-MC
Max. Capacity: 5-10 pack / min "I Series"	Max. Film Width: 400mm	500mm	600mm	700mm	500mm
Max. Capacity: 7-12 pack / min "MC Series"	Installed Power: 230V 15 Ampere 1 phase	230V 17 Ampere 1 phase	400V 13 Ampere 3 phase	400V 17 Ampere 3 phase	400V 13 Ampere 3 phase
Max. Roll Diameter: Ø300mm standard	Consumption (Max. / Average): 4 kW / 3 kW	5 kW / 3 kW	6 kW / 4 kW	9 kW / 5 kW	6 kW / 4 kW
Working Height (E): 860mm (8000-i Series 970mm)	Chamber Sizes: 450 x 300 x 250mm	580 x 440 x 250mm	700 x 510 x 250mm	810 x 610 x 250mm	580 x 440 x 250mm
Film Types: POF 7-37micron PVC: 15-25micron	Dimensions (AxBxCxD): 1080x800x1140x270mm	1220x730x1140x270mm	1480x860x1140x270mm	1840x980x1220x270mm	1575x700x1130x270mm
Max. Product Height: 150mm (Optionally Higher)	Palletized Size (WxLxH): 800 x 1200 x 770mm	800 x 1200 x 770mm	940 x 1590 x 800mm	980 x 1930 x 1220mm	940 x 1710 x 870mm
Color: Light gray RAL7035	Weight (Net / Gross): 100 kg / 130 kg	120 kg / 150 kg	151 kg / 205 kg	176 kg / 224 kg	143 kg / 177 kg

* MG: Magnetic hold down series, MC: Automatic discharge series

Features:

- Seal & shrink single-step application in the same chamber
- Practical and compact solution for low capacity packaging requirements
- Easily transportable on wheels inside a facility
- Timers and temperature controls by digital control panel
- Magnetic holder keeps the chamber hood closed automatically
- Adjustable perforators for air discharge during shrinkage

Intelligent Sealing System & Advantages:

- Sealing blade power is generated as much as it is needed
- Adaptive temperature power control during variable cycle times
- Start-up power for the sealing blade is controlled with intelligent system.
- Increased duration of composite blade-supports due to efficient heat control
- Sustainable sealing quality and process accuracy by stabilized heat control

Sealing:

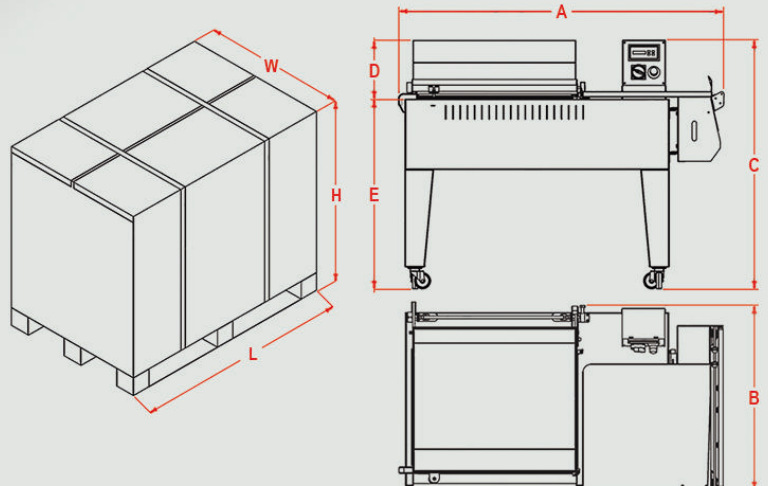
- Mechanical switch triggers heating of wire and chamber when the hood is closed
- Sealing is actuated in between wire and silicon rubber by manually closed hood
- Teflon belt covered silicon rubber increase sealing quality and life-span of silicon
- Sealing wire is embedded into heat-resistant composite fiber
- Solid state relays in electrical cabinet helps operating long-term and quietly

Flexibility:

- Height adjustable package mesh tray for center sealing option
- Adjustable power of sealing blade against different film thickness
- Poly-bagging option (without shrink) by switching off the fan
- Temperature, timer other options are controlled with digital system
- Various language options are available in digital control panel
- Service menu is available in digital control panel
- Film roll holder with easy to slide, load and align each package

Quality:

- Working option without pressured air need
- ISO9001 quality standards with the relevant norm's confirmation
- CE certifications, complies with the latest CE directives
- World-wide approved brands for all mechanical and electrical components
- 1 year warranty for nonwearable parts against manufacturing faults
- 5 years spare part availability



R3 EN

Serifali Mah.Serdivan Sk. 60, 34775 Umraniye / Istanbul / TURKIYE

Phone: +90 216 365 8570 Fax: +90 216 365 5444

info@maripak.com www.maripak.com

Maripak®
Packaging & Industrial Equipment Inc.