

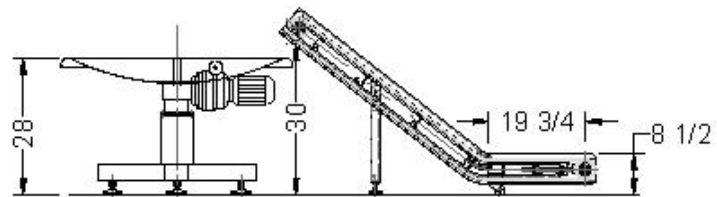
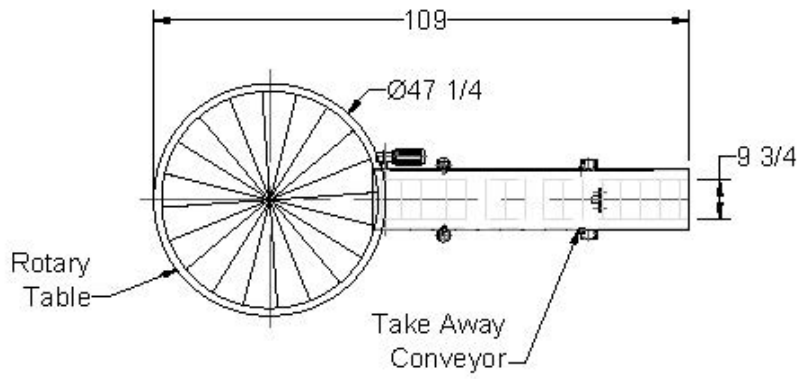


## **STAINLESS STEEL ROTARY COLLECTION TABLE**

### **Stainless Steel Rotary Collection Table CT-47-SS**

- 304 Stainless Steel Construction
- 47" Diameter (2 Amp 220 Single Phase)
- Concave Surface for Bags to Slide To Center Allowing More Accumulation
- No Pinch Points for Safer Operation
- Variable Speed Operation





DRAWN	W. Washburn	9/11/15	Ohlson Packaging	
DATE			TYPE	
PTG			Rotary Table & Take Away Conveyor Layout	
APPROVED			REV	
			A	RT&TA
			SCALE	AS SHOWN