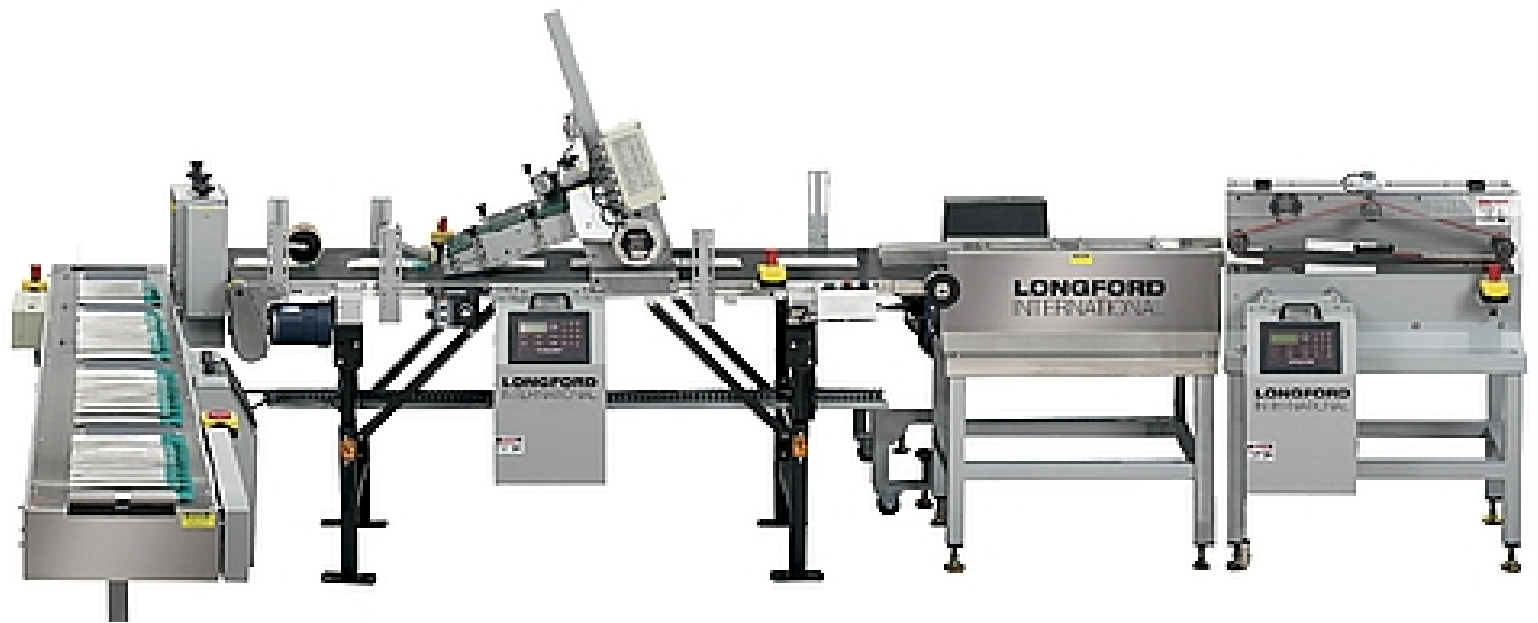


## *Longford Custom Greeting Card Provider System*



Automatic custom packaging line to allow 'merging' of hang tags and back line cards to ready for retail distribution. Provide turnkey system that allows automatic infeed of main sticker product, aligns the product, address adhesive to the substrate and affixes the hanger tab. Then clamps the pieces together. Provide 90° exit alignment system at end of line.

### **System Specifications:**

**1 x C350 1 x Custom Flat Belt Conveyor**

**1 x Custom 90° Exit Shingling System 1 x Turn Over Conveyor**

**OEM Partner: Nordson**