

# Vacuum Emulsifying Mixer



## Vacuum Emulsifying Mixer

-- Ointment - Cream - Tooth Paste- Gel Manufacturing Plant

**TFZRJ** can be used for production of ointments and creams in cosmetic and pharmaceutical factories, especially for the preparation and emulsification of ground substance with large viscosity and high content of solid.

**TFZRJ** Vacuum Emulsifying Mixer is specially designed by introducing foreign updated technology and on the basis of ointment-making technics for processing cosmetics and ointment. It is composed of pretreatment boiler, vacuum emulsifying mixer boiler, vacuum pump, hydraulic system, tilting system, and electric control system, etc.



5L/10L Laboratory Emulsifying

TFZRJ-5

TFZRJ-10

**Advantage:**

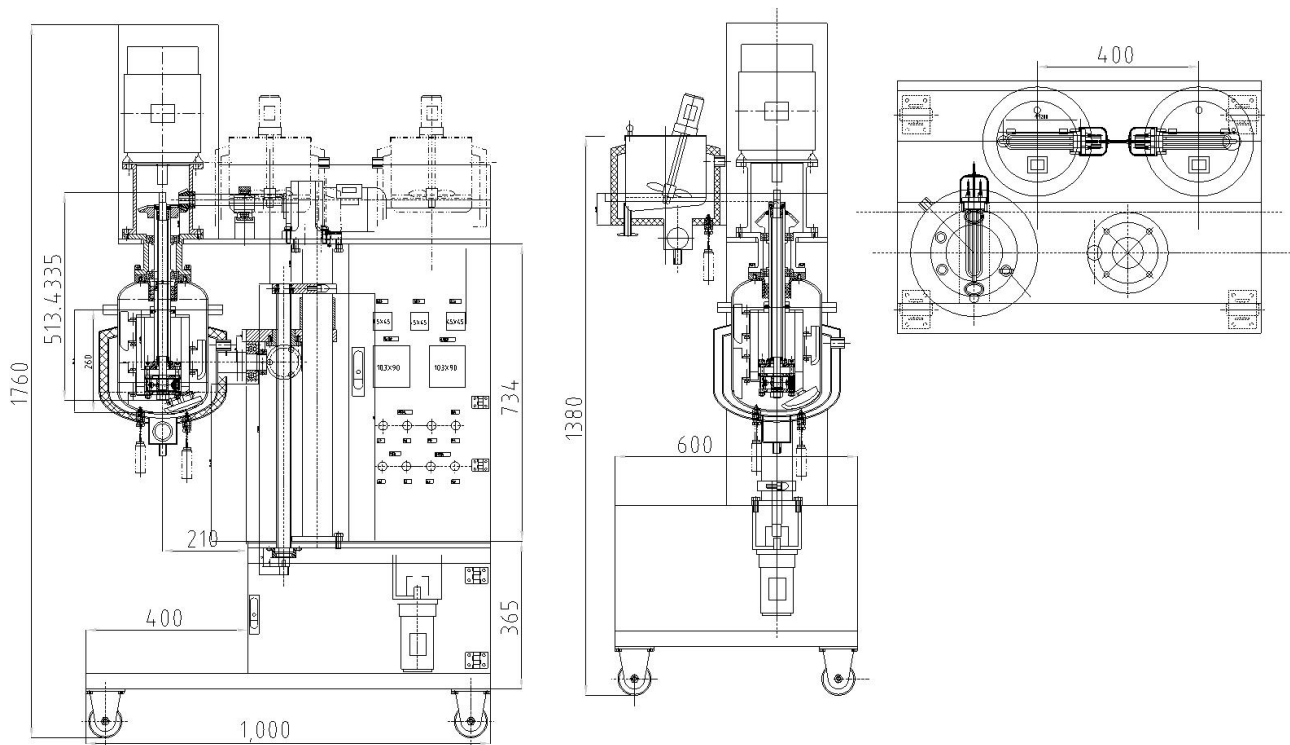
TFZRJ Vacuum Emulsifying Mixer has triple blender, hydraulic lift cover, high-speed homogeneity blender (Speed is 0-3500r/min, frequency speed regulation) and low-speed scraper blender (Speed is 0-40r/min, frequency speed regulation). Fast-cutting vortex emulsification blender is used in homogeneity part, which can scrape in a low speed and automatically blend and snug up to the bottom and wall of boiler. The machine draws powder material by the way of vacuum in order to prevent the powder flying. The whole working procedure is operated in the condition of vacuum in order to prevent the material coming into being bubble after high-speed blending and reach the request of sanitation and asepsis. CIP cleaning system is equipped in this system. The contact part of vessel and material is made from SUS316L material. Mirror finish of the inside surface is 300EMSH. In order to ensure the stabilization of the control, the vacuum pump is the products of Germany Siemens Company, the button is produced by Japan Fuji Company, the transducer is the product of Japan Matsushita Electric Industries and the electro-control part is the product of Siemens Company. The machine is made completely according to the GMP request, which is the most advanced and most perfect cream production equipment.



20L Laboratory Emulsifying

TFZRJ-20

**TFZRJ-5 Dimensions:**



Technical Data		TFZRJ-5	TFZRJ-10	TFZRJ-20
Effective Capacity		5	10	20
Emulsify	Kw	1.5	1.5	2.2
	r/min	0-2800	0-2800	0-3500
Agitator	Kw	0.37	0.37	0.37
	r/min	0-40	0-40	0-40
Outside Dimension	L	1000	1000	1800
	W	600	600	1600
	H	1670	1670	1850
	MAXH	-	-	2700
Total power		-	-	5

SaintyCo also offer:

Encapsulation Solutions

Tablet Compression Solutions

Coating Systems

Cartoning Systems

Blister Packing Solutions

