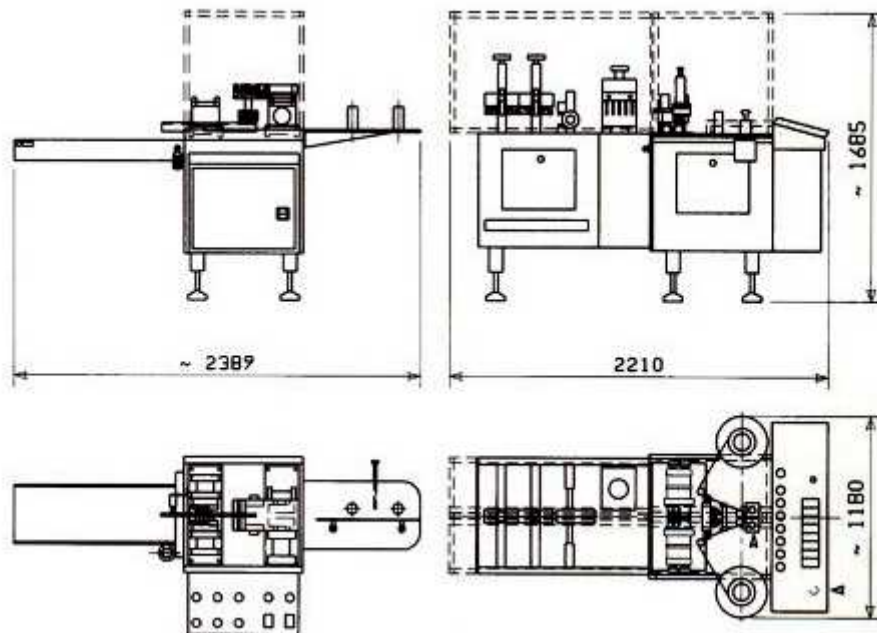


# FD 5





(sample package)

The **FD5** are automatic machines for the production of suppositories and ovules in strips of aluminium and/or thermoformable plastic. The cavities can be of different cut and volume according to the client's requirements. Production up to 5.000 suppositories-ovules/hour.

Packing materials (PVC; PVC + PE; PVC + PVDC + PE; duplex (ALU + PE); triplex (PP + ALU + PE))

<b>FD5</b>	
Production	5000 Unit/hour
Maximum power absorbed	3,5 kW
Electrical infeed	400V 3p+N+PE
Compressed air pressure	550 Lit/min
Pneumatic energy	6 bar
Length	2210 mm
Width	1180 mm
Height	1685 mm
Weight	600 Kg