



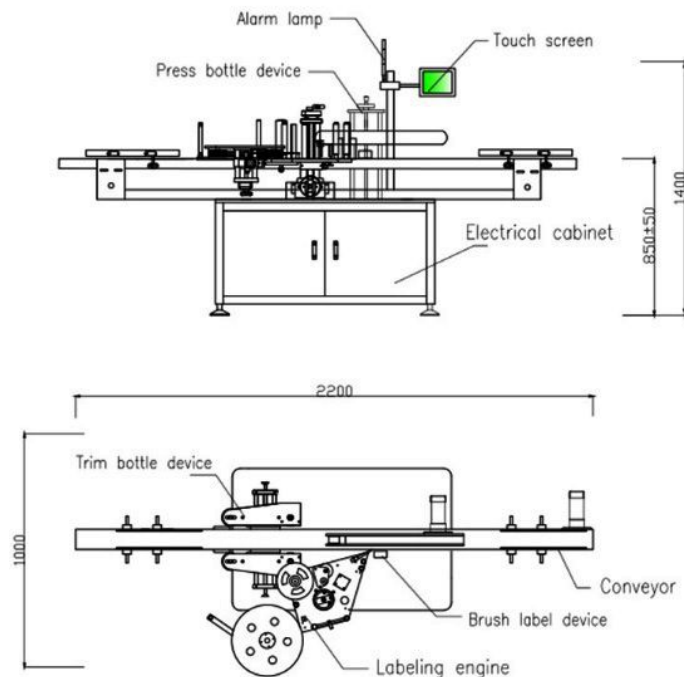
Focus Labeling Machine

BFM-A Small Box Corner Labeler (With One Label)



1. Model: BFM-A
2. Brand: SKILT
3. Labeling objects: cosmetic box, pill case, medicine box
4. Label material: adhesive sticker
5. Power (W): 650
6. Labeling speed (pcs/min) : 20-130pcs/min
7. Control system: America AB
8. Operation system: BGCS
9. Machine size (L*W*H): 2200*1000*1400

Labeling on the small carton one corner for sealing with adhesive sticker or anti-counterfeit label.



Parameters

Model	BFM-A
Driving Mode	Servo motor
Operating direction	Left or Right
Conveyor Speed (m/min)	≤35
Labeling Accuracy	±1.0 mm
The inner diameter of label roll	76 mm
The outer diameter of label roll	350 mm(max)
The suitable size of label	Width 15-60 mm; length 15-80 mm
The suitable size of labeling objects	Can customized depends on client product
Voltage (In China)	AC220V 50/60HZ Single phase (Can customized as client need)

