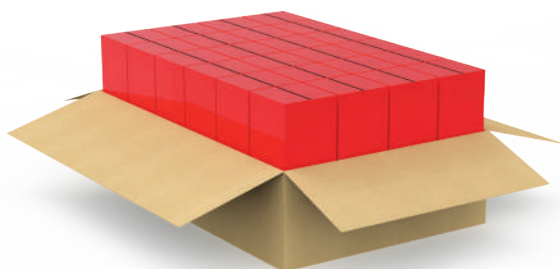
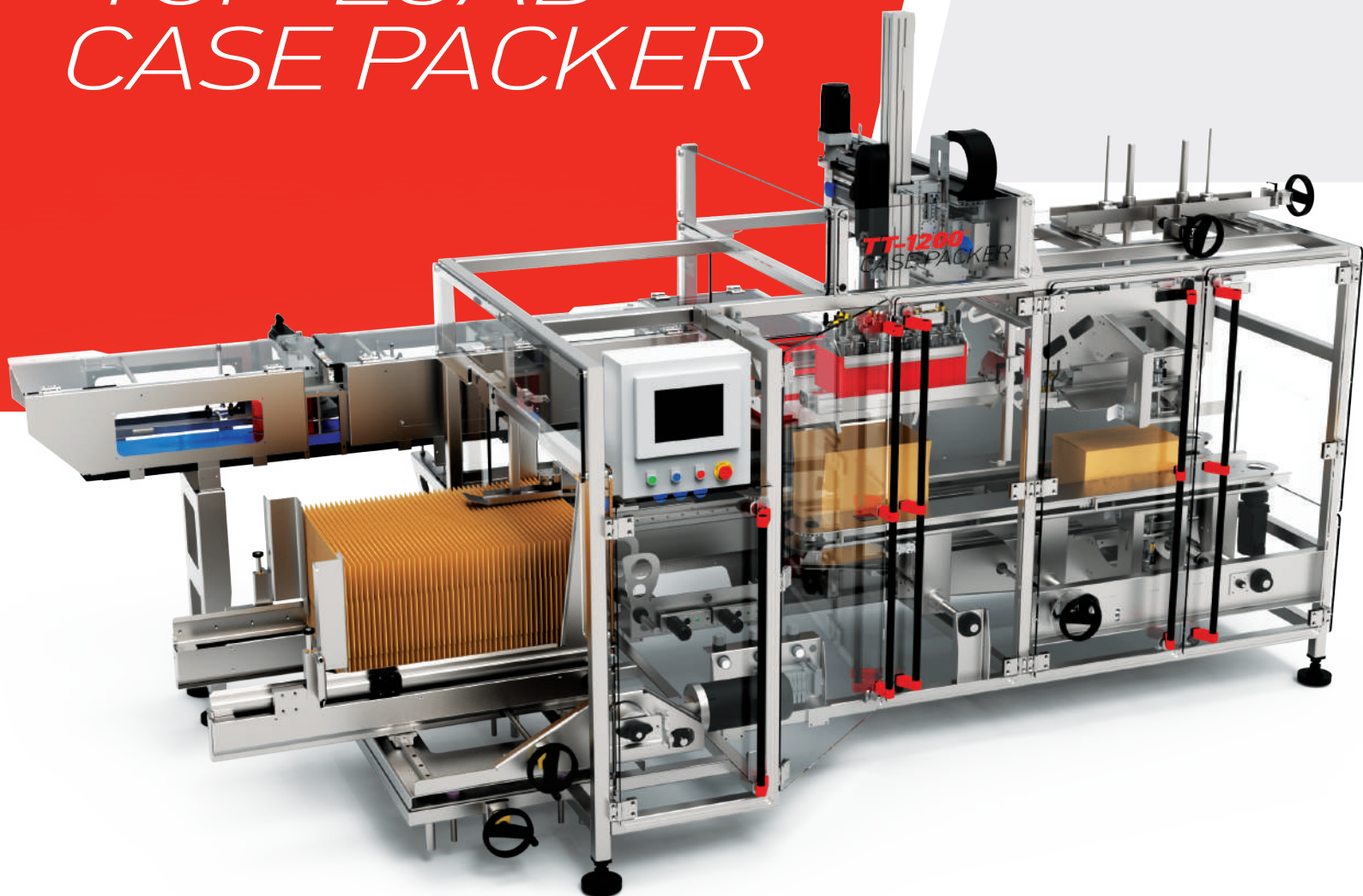


# TT-1200T™

## TOP-LOAD CASE PACKER

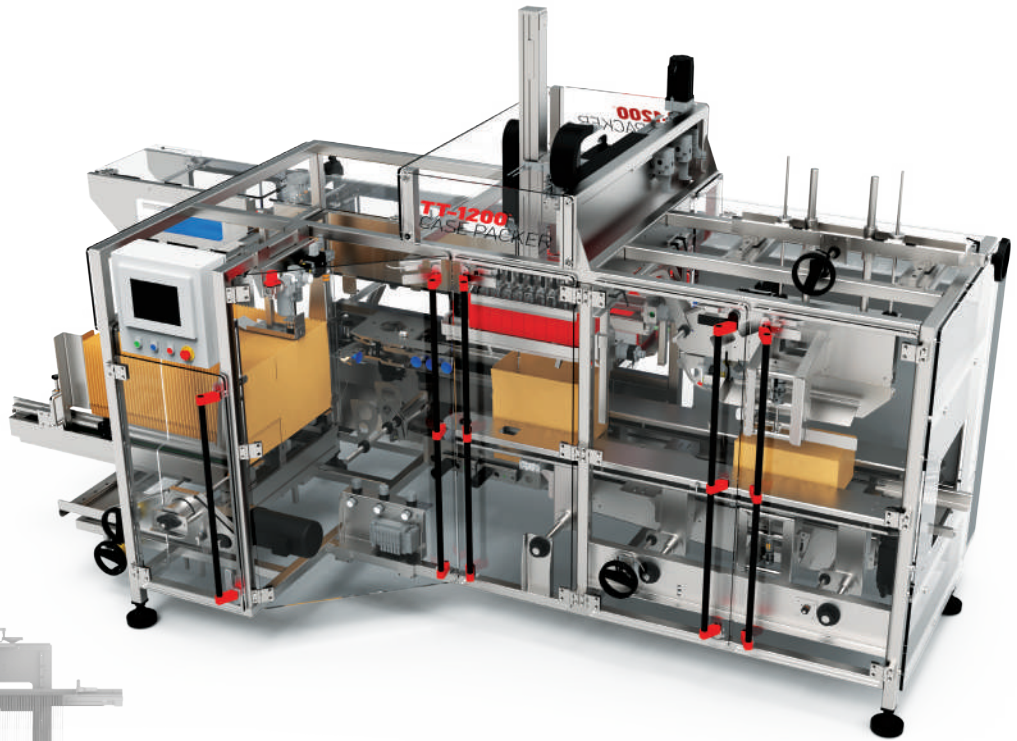


# Built solid

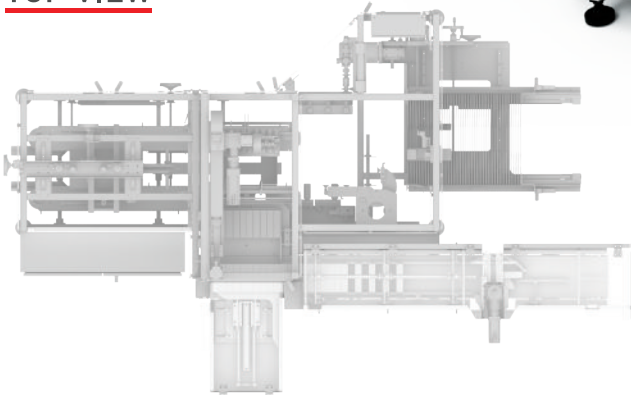
TT 1200 is a compact case packer that features flexible speeds, multiple pack orientations; low case loading height and reaches speeds up to 20 cases per minute. Its compact overall footprint makes it an ideal solution for new and small businesses that want to automate their case packing process without sacrificing large amounts of floor space.

## KEY FEATURES

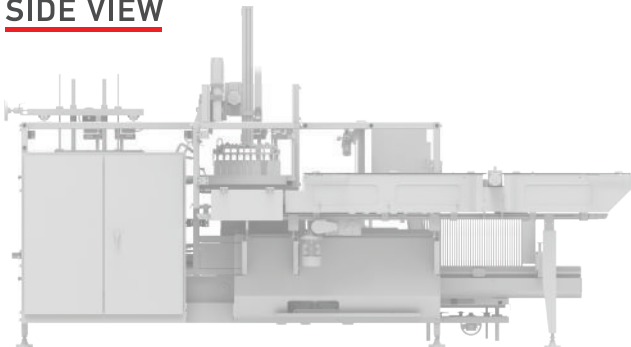
- COMPACT FOOTPRINT
- QUICK CHANGEOVER
- TOP LOAD



### TOP VIEW



### SIDE VIEW



## SPECIFICATION

MIN. CASE SIZE	6" x 4" x 3"
MAX. CASE SIZE	18" x 12" x 12"
SPEED	Up to 20 CPM
CASE LOADING	Manual, Robotic, with Collation System
CASE CLOSING	Tape and/or Hot-melt Glue
CONTROLS	Allen Bradley PLC/Drive
DIMENSION	Width: 100" Length: 168" Height: 79"

# QUALITY MEANS EFFICIENCY