

ADVANTAPress Plus-Tablet Press

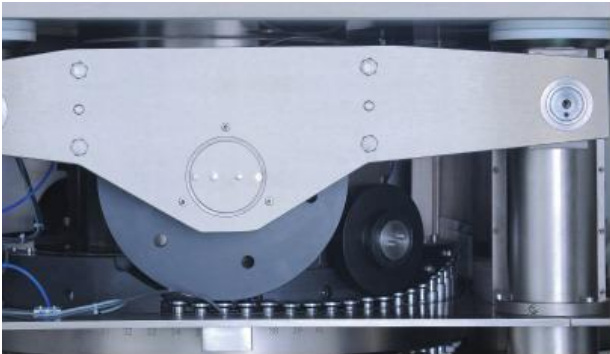


ADVANTAPress Plus-Tablet Press

The **ADVANTAPress Plus** Tablet Press is double sided, versatile, high speed tableting machine. Optimised for fast change over between bi- and mono-layer tablet mode and for high speed effer-vescent tablet production. Meets GMP requirements, can press two layers tablets with different colors, annular tablets, round tablets, engraved tablets and irregular tablets.

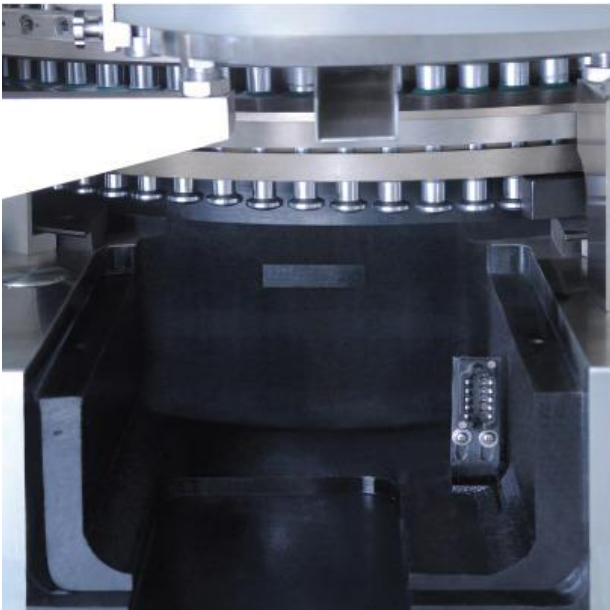
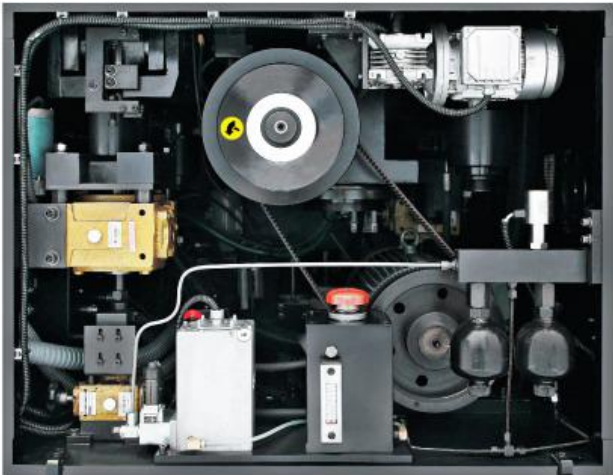
- **High pressure**
- **Largue diameter of tablets**
- **High yield**
- **Accurate and easy maintenance**



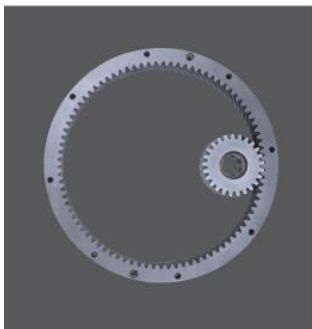


Adopt arm pressure function.

Four sets of independent lubrication system.



Module design, which is easy to assembly and disassembly the punches&die.



Double transmission, big torsional movement, high loading ability.



Upper and lower double force feeding system.



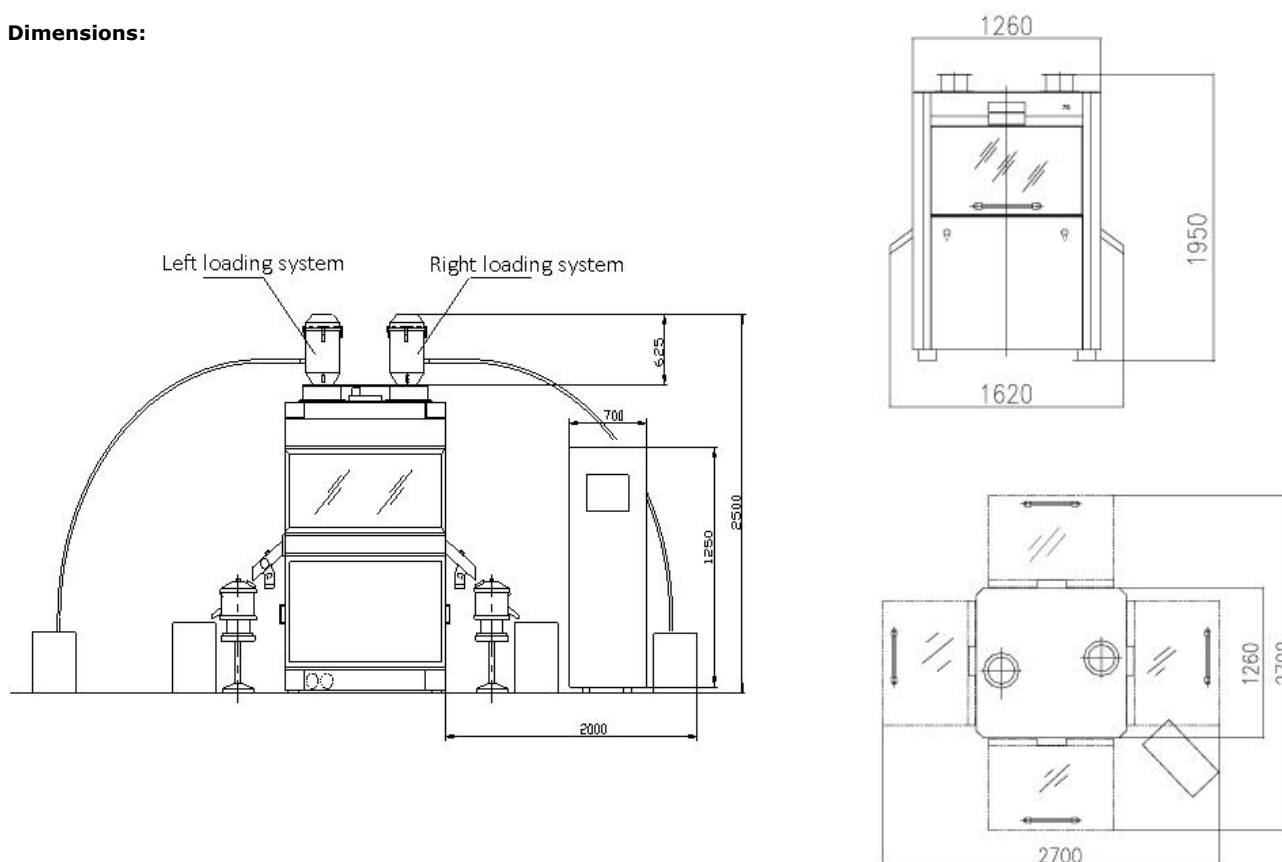
Lengthen the ration cam, which increase the number of controlled punches&die.



Adopt Acetal material , subsection assemble cam.

Features:

- Siemens PLC&HMI
- Contact parts 316L
- High speed: up to 630,000 tabs/h
- Excellent performance with challenging high volume products such as Metformin and Amlodipin
- No conversion of compression stations required for changing the machine confi-guration
- Quick product and format changes: tablet chute and fill shoe can be swung out – no tedious readjustments
- Few product contact parts: minimal cleaning effort
- Optimal hygienic design
- Hermetical separation between compaction and service area
- Patented closed punch bellows to prevent tablet contamination

Dimensions:


AdvantaPress Plus Technical Data	45	55	69	75
Machine configurations	Mono-layer,Bi-layer			
Punch&die type(EU)	D	B	BB	BB
Number of press station	45	55	69	75
Max tablet diameter(mm)	25	16	13	13
Max abnormal prolata axis size	25	18	16	16
Max output(Tablet/h)	390000	470000	580000	630000
Max filling depth(mm)	20	18	18	18
Max main pressure(KN)	100	100	100	100
Max pre pressure(KN)	20	20	20	20
Idle load noise dB(A)	<75			
Power	380V 50HZ 10.5-13KW			
Dimension (mm)	1260*1260*1950			
Weight (KG)	3750			

SaintyCo also offer:

Encapsulation Solutions

Tablet Compression Solutions

Coating Systems

Cartoning Systems

Blister Packing Solutions

