



**FUNG YUAN** Sincere / Innovation / Profession  
Responsibility / Enthusiasm

# 自動雙面套袋 封口機 (直線式)

# FAS-7030-2



包裝範例 Samples

Automatic Two-Side Sealing Machine ( In Line-Feeding )



鋒源機械有限公司  
FUNG YUAN MACHINERY CO., LTD.



Sincere / Innovation / Profession  
Responsibility / Enthusiasm

# 自動雙面套袋 封口機 (直線式)

# FAS-7030-2

Automatic Two-Side Sealing Machine ( In Line-Feeding )

## FAS-7030-2 自動雙面套袋封口機 (直線式) Automatic Two - Side Sealing Machine ( In Line-Feeding )

### 特點:

- 包裝材料：PE、PVC、OPP均可使用。
- 適用產品：禮盒、食品罐頭、特產品、藥材、印刷、書籍、日用品、電器製品、玩具、五金工具、運動器材、木業製品、地磚類.....等。

### Features :

- Packing materials : PE、PVC & OPP.
- Usage : Gift boxes, foods can, special products, medicines, printing articles, books, daily necessities, electric appliances, toys, metallic tools, sporting goods, wooden wares, & tiles, etc.

### FAS-7030-2 規格表 / FAS-7030-2 SPECIFICATION :

規格 SPECIFICATION		機型 MODEL	FAS-7030-2	FAS-9040-2
包裝尺寸(公厘) Packing Size(mm)	最長 X 最短 Max. L x Min. L		500 x 200	700 x 200
	最寬 X 最窄 Max. W x Min. W		350 x 60	550 x 60
	最高 X 最低 Max. H x Min. H		280 x 50	380 x 50
包裝能量(次/分) Packing Capacity (time/min.)			5-18	5-15
電源 Power			380V x 0.75KW	380V x 0.9KW
空氣壓力 Air Pressure			5kg / cm <sup>2</sup>	5kg / cm <sup>2</sup>
機械尺寸(長x寬x高) Machine dimension (LxWxH)			1750 x 1140 x 1615	1750 x 1380 x 1825
重量 Weight			300kgs	400kgs

## FM 系列 FM SERIES / PE 收縮機 PE SHRINK TUNNEL

### 特點:

- 不傷品質、節省電力、增加利潤。
- 熱縮爐特殊導風板、熱風出力平均，熱輻射均勻，輸送以滾筒帶動經久耐用，速度快慢可調節。

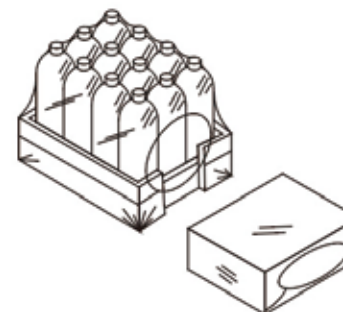
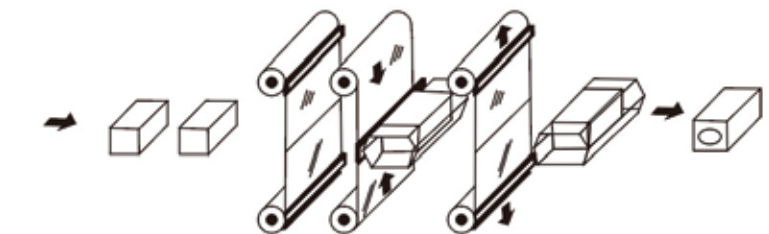
### Features :

- To assure the quality without being damaged, to save electricity and to increase profits.
- Heat oven for contracting will send out even heat radiation. Delivery is done by roller with durability. And the speed is controlled and driven by DC motor.

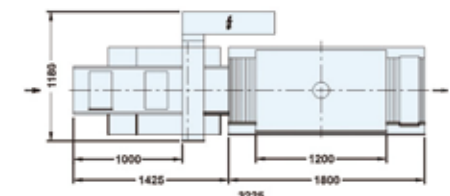
### FM 系列規格表 / FM SERIES SPECIFICATION :

機型 Model	規格 Size	包裝尺寸 Packing Size (W.xH.) mm	包裝能力 (公尺/分) Packing Ability (Meter/Min)	電源 Power	耗電量 Power Consumption	內爐尺寸 (長x寬x高) Inner Tunnel L x W x H (mm)	機械尺寸 (長x寬x高) Tunnel Overall L x W x H (mm)
FM - 4525		300 x 220	1-10M	220V / 380V	9 KW	900x450x250	1500x650x1470
FM - 6040L		450 x 320	1-10M	220V / 380V	15~19.5 KW	1200x600x400	1800x800x1620
FM - 7540L		600 x 320	1-10M	220V / 380V	15~19.5 KW	1200x750x400	1800x950x1620
FM - 9040L		700 x 320	1-10M	220V / 380V	19.5~24 KW	1200x900x400	1800x1100x1620

### 全自動雙面套袋封口包裝流程 Packing Flow



包裝方式圖例  
Example of collective packaging



機械尺寸圖  
M / C Dim. Illustration

## 鋒源機械有限公司

FUNG YUAN MACHINERY CO., LTD.

公司：台中市豐原區圓環北路二段321號

工廠：台中市豐原區東北街187號

Office : No.321, Sec.2, Yuan Hwan North Rd., Feng Yuan Dist.,  
420 Taichung City, Taiwan

Factory : No.187, Tung Pei St., Feng Yuan Dist., Taichung, Taiwan

TEL : 886-4-25232986, 25227318, 25253217-8 FAX : 886-4-25276828

Http : //www.fungyuan.com E-mail : fungyuan@ms25.hinet.net