



Model MP-1SH Miniature Piston Filler



Construction features:

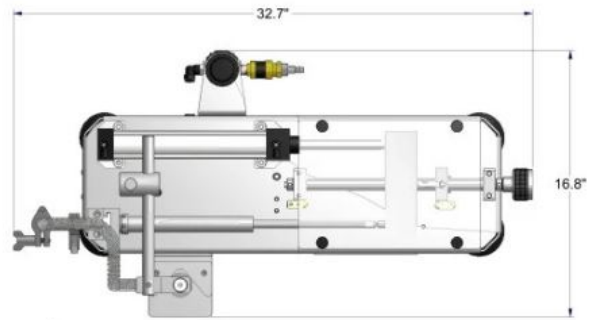
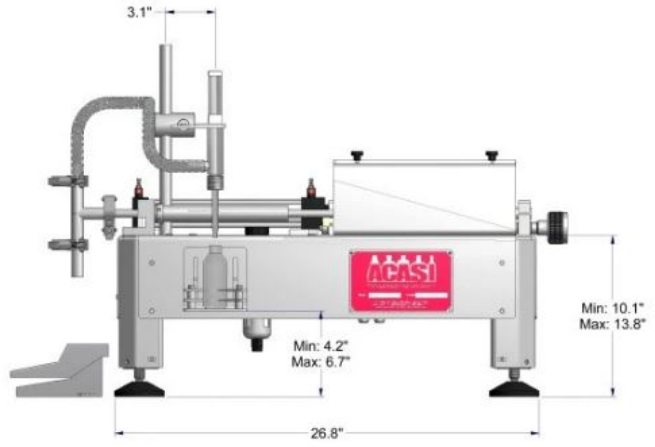
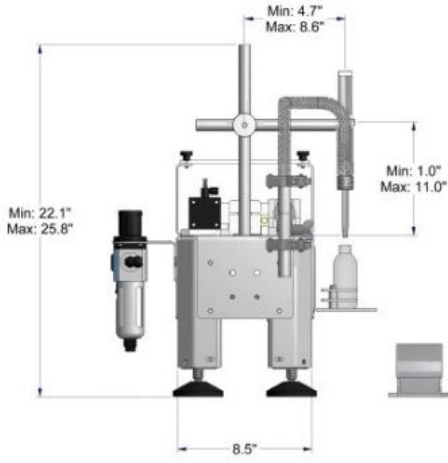
- **Heavy duty 1.50 bore air cylinder with mechanical stroke adjustment.**
- **Piston stroke pneumatic driven and easy to adjust.**
- **Capable of handling breakable particles up to $\frac{3}{4}$ in diameter.**
- **Anodized aluminum thickness 1 in bottom plate.**
- **Heavy duty 304 stainless steel screwed frame construction.**
- **3 way rotary valves.**
- **All contact parts are stainless steel, sanitary, teflon, buna, viton.**

Standard features:

- **Nozzle fully adjustable in any direction.**
- **Height nozzle can be fully adjustable.**
- **Works with plastic or glass containers.**

10 CFM @ 80 psi.

DRAWING: 650-1SH-000



MACHINE MODEL: Minipiston-1SH	ACASI MACHINERY INC	PAGES: 1
MACHINE CAPABILITIES		DWG
PRODUCTION SPEED:	WEIGHT: SCALE:	BY: Mark P.
OPTIONS:	ADDITIONAL OPTIONS:	DATE: 04/11/2016