

Model TruPump-1S Single Head Semi-Automatic Pump Filler



ACASI pump bottle filler model TruPump-1S, semi-automatic filling machine

Construction features:

- 304 Stainless steel heavy duty stainless steel welded frame.
- All contact parts are stainless steel, sanitary, Teflon, viton and hoses per your requirements.
- Special seals or hoses by order.

Control panel features:

- Omron PLC for all bottle filler machine logic functions, special modifications on programs available for special adaptations.
- Omron frequency control drive for pump speed, acceleration and deceleration.
- Front panel function controls through Omron panel.
- Front panel Emergency STOP for easy access.

Main components features:

- Sanitary pump bottle filler manufactured in 316L stainless steel, teflon or other sanitary materials.
- Toolless assembly.
- 1/2 Hp, 3phase, motor.

Standard features:

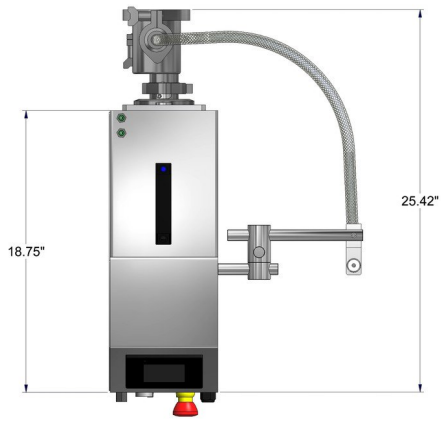
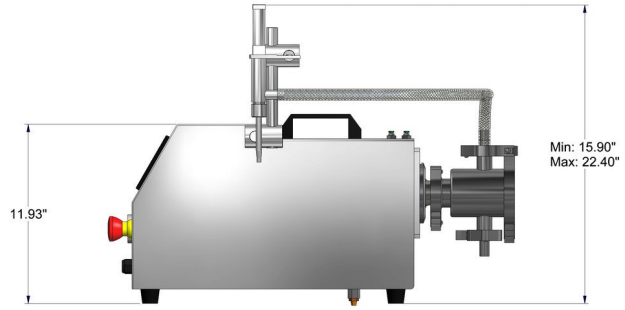
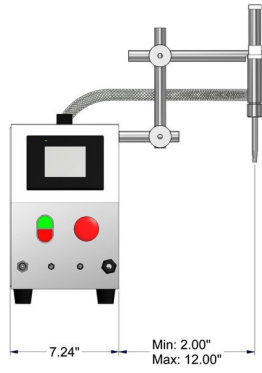
- Nozzle positioning by swivel arm.
- Will work with plastic or glass containers.
- No change of parts needed for various types of containers.
- Air regulator included.

Electric and pneumatic requirements:

110 Volts, 60Hz, 5 Amps.2 CFM @ 80 p.s.i.

DRAWING:

751-000



MACHINE MODEL:	Single Head Semi-Automatic Pump Filler - TruPump - 1S	ACASI MACHINERY INC	PAGES:	1	
MACHINE CAPABILITIES:	Touch Control Panel		DIM:	Inches	
PRODUCTION SPEED:		WEIGHT:	SCALE:	BY:	Mario
OPTIONS:		ADDITIONAL OPTIONS:		DATE:	9/11/2012