

Hot Foil Stamping Machine **STM-150-CS+**



Hot foil stamping machine

STM-150-CS+

Features

- Hot stamping is possible on various convex shapes
- Highly versatile machine – adaptable to various shapes for stamping
- Very high speed operation – thanks to servo driven main spindle
- Easy set-up and operation – ergonomically designed machine
- Offers upto 30% foil saving – machine can work with narrow width foil
- Increased productivity – provision for automatic ejection of parts*
- Offers ease of parameter settings – on account of state-of-the art PLC
- Reduction in set-up time – due to easy roller alignment in Y axis and angle adjustment



* Feasibility depends on part shape and size.



Technical Specifications

- Max. article size : Diameter 100 mm
- Oval ratio : 2:1 (Max Dia : Min Dia)
- Stamping Width : 50 mm max.
- Speed of stamping** : Upto 65 parts /min.
- Air Supply : 7 kg/cm²
- Air Consumption : 30 cfm
- Power : 2.5 KW, Single Phase, 230V AC, 50 Hz
- Foil width : 7 mm - 50 mm
- Weight : 700 kgs approx.
- Standard Dimensions : 1600mm x 1400mm x 1800mm Ht

Optional attachments

- Semi automatic part loading system
- Fully automatic part loading system
- Conformity to CE norms

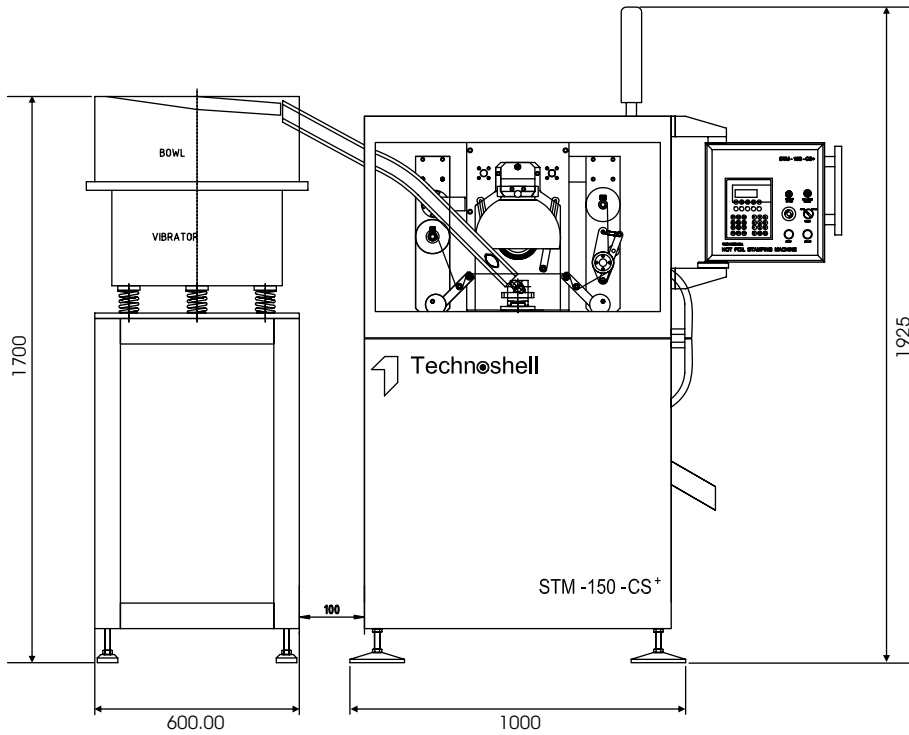
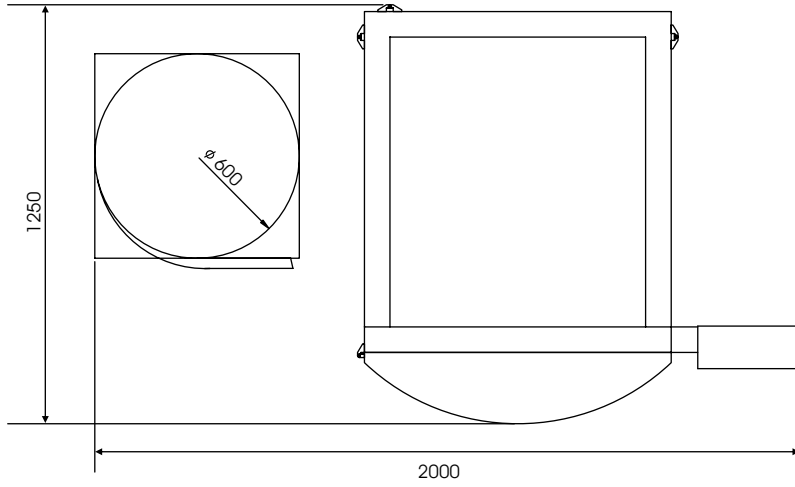
** Speed depends on the selected optional attachments, part size and profile
Optional attachments shown in the picture are not a part of the standard machine
Due to continual improvements specifications and features are subject to change without notice
Label graphics shown under application heading are the property and trade mark of the respective brands

■ Applications

- Non-circular & circular caps, closures
- Shampoo bottle caps, oval caps
- Lipstick barrels
- Caps of cosmetic products
- Caps of cream jars
- Compact powder cases



Layout :



G - 49, M.I.D.C., Ambad, Nashik - 422010. INDIA
Ph.: 0091-253-2383049, 6605611. Fax: 2381474
Email: info@technoshell.com URL: www.technoshell.com